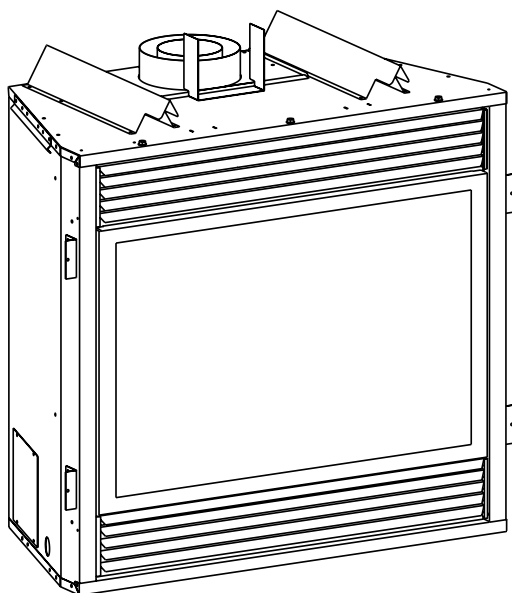




# INSTALLATION INSTRUCTIONS AND OWNER'S MANUAL



**WARNING:** If the information in this manual is not followed exactly, a fire or explosion may result causing property damage, personal injury or loss of life.

— Do not store or use gasoline or other flammable vapors and liquids in the vicinity of this or any other appliance.

#### — WHAT TO DO IF YOU SMELL GAS

- Do not try to light any appliance.
- Do not touch any electrical switch; do not use any phone in your building.
- Immediately call your gas supplier from a neighbor's phone. Follow the gas supplier's instructions.
- If you cannot reach your gas supplier, call the fire department.

— Installation and service must be performed by a qualified installer, service agency or the gas supplier.

## DIRECT VENT GAS FIREPLACE

### MODELS

DVF-36-2      DVF-42-2  
DVF-36IP-2      DVF-42IP-2



EFFECTIVE DATE  
NOVEMBER, 2000

This appliance may be installed in an aftermarket permanently located, manufactured (mobile) home, where not prohibited by state or local codes.

This appliance is only for use with the type of gas indicated on the rating plate. This appliance is not convertible for use with other gases, unless a certified kit is used.

**WARNING:** If not installed, operated and maintained in accordance with the manufacturer's instructions, this product could expose you to substances in fuel or from fuel combustion which can cause death or serious illness.

## TABLE OF CONTENTS

Section	Page	Section	Page
Important Warnings .....	2	Standing Pilot Delayed Ignition Reset Switch .....	23
Safety Information for Users of LP Gas .....	3	Standing Pilot Lighting Instructions .....	24
Specifications .....	4	Standing Pilot Troubleshooting .....	25
Fireplace Dimensions .....	4	Intermittent Pilot Operating Instructions .....	26-27
Fireplace Component Installation .....	5	Intermittent Pilot Delayed Ignition Reset Switch .....	26
Introduction .....	6	Intermittent Pilot Lighting Instructions .....	28
Planning Your Installation .....	7	Intermittent Pilot Troubleshooting .....	29-30
Installation .....	8-13	Maintenance and Service .....	31
Termination Clearances .....	14	Parts View of Fireplace .....	32
Vent Clearances .....	15	Parts List .....	33
Vent System Identification .....	16	Optional Automatic Blower Installation Instructions .....	34-35
Framing/Finishing .....	17-19	Optional Fresh Air Intake Installation Instructions .....	36-37
Leak Testing Gas Line .....	19	Accessory Parts .....	38
Log Placement .....	19-20	Optional Brick Liner Installation Instructions .....	39
Standing Pilot Operating Instructions .....	21-23		

## IMPORTANT WARNINGS

**Before enclosing the Simpson Dura-Vent 5 x 8 vent pipe assembly operate the appliance to ensure it is venting properly.**

**THIS IS A HEATING APPLIANCE WHEN HEATER BAFFLE IS INSTALLED, SEE PAGE 5**

Do Not Operate This Appliance Without Glass Front Panel Installed.

- |                                                                                                                                                                                                                                                                                                                                                                                                                                                                                                                                                                                                                                                                                                                       |                                                                                                                                                                                                                                                                                                                                                                                                                                                                                                                                                                                                                                                                                                |
|-----------------------------------------------------------------------------------------------------------------------------------------------------------------------------------------------------------------------------------------------------------------------------------------------------------------------------------------------------------------------------------------------------------------------------------------------------------------------------------------------------------------------------------------------------------------------------------------------------------------------------------------------------------------------------------------------------------------------|------------------------------------------------------------------------------------------------------------------------------------------------------------------------------------------------------------------------------------------------------------------------------------------------------------------------------------------------------------------------------------------------------------------------------------------------------------------------------------------------------------------------------------------------------------------------------------------------------------------------------------------------------------------------------------------------|
| <ul style="list-style-type: none"> <li>• If this appliance is installed directly on carpeting, tile or other combustible material other than wood flooring the appliance shall be installed on a metal or wood panel extending the full width and depth of the appliance. The base referred to above does not mean the fireproof base as used on wood stoves. The protection is for rugs that are extremely thick and light colored tile.</li> <li>• Children and adults should be alerted to the hazards of high surface temperatures and should stay away to avoid burns or clothing ignition.</li> <li>• Young children should be carefully supervised when they are in the same room as the appliance.</li> </ul> | <ul style="list-style-type: none"> <li>• Clothing or other flammable material should not be placed on or near the appliance.</li> <li>• Adequate accessibility clearances for servicing and proper operation.</li> <li>• This appliance must not share or be connected to a flue serving a separate solid-fuel burning appliance.</li> <li>• Keep the area around your appliance clear of combustible materials, gasoline and other flammable vapor and liquids.</li> <li>• Under no circumstances should any solid fuels (wood, coal, paper or cardboard etc.) be used in this appliance.</li> <li>• The flow of combustion and ventilation air must not be obstructed in any way.</li> </ul> |
|-----------------------------------------------------------------------------------------------------------------------------------------------------------------------------------------------------------------------------------------------------------------------------------------------------------------------------------------------------------------------------------------------------------------------------------------------------------------------------------------------------------------------------------------------------------------------------------------------------------------------------------------------------------------------------------------------------------------------|------------------------------------------------------------------------------------------------------------------------------------------------------------------------------------------------------------------------------------------------------------------------------------------------------------------------------------------------------------------------------------------------------------------------------------------------------------------------------------------------------------------------------------------------------------------------------------------------------------------------------------------------------------------------------------------------|

- |                                                                                                                                                                                                                                                                                                                                                                                                                                                                                                                                                                                                                                                                                                                                                                                                                                                                                                                                                                                                     |                                                                                                                                                                                                                                                                                                                                                                                                                                                                                                                                                                                                                                                                                                                                                                                                                                                                                                                                                                                                                |
|-----------------------------------------------------------------------------------------------------------------------------------------------------------------------------------------------------------------------------------------------------------------------------------------------------------------------------------------------------------------------------------------------------------------------------------------------------------------------------------------------------------------------------------------------------------------------------------------------------------------------------------------------------------------------------------------------------------------------------------------------------------------------------------------------------------------------------------------------------------------------------------------------------------------------------------------------------------------------------------------------------|----------------------------------------------------------------------------------------------------------------------------------------------------------------------------------------------------------------------------------------------------------------------------------------------------------------------------------------------------------------------------------------------------------------------------------------------------------------------------------------------------------------------------------------------------------------------------------------------------------------------------------------------------------------------------------------------------------------------------------------------------------------------------------------------------------------------------------------------------------------------------------------------------------------------------------------------------------------------------------------------------------------|
| <ul style="list-style-type: none"> <li>• Due to high temperatures the appliance should be located out of traffic and away from furniture and draperies.</li> <li>• The glass front or any part removed for servicing the appliance must be replaced prior to operating the appliance. Work should be done by a qualified service person.</li> <li>• Keep burner and control compartment clean.</li> <li>• Vent cap is hot while fireplace is in operation.</li> <li>• Installation and repair should be done by a <b>QUALIFIED SERVICE PERSON</b>. The appliance should be inspected before use and at least annually by a qualified service person. More frequent cleaning may be required due to excessive lint from carpeting, bedding materials, etc. It is imperative that control compartments, burners and circulating air passageways of the appliance be kept clean.</li> <li>• <b>DO NOT</b> put anything around the fireplace that will obstruct the flow of ventilation air.</li> </ul> | <ul style="list-style-type: none"> <li>• <b>DO</b> keep the appliance area clear and free from combustible material, gasoline and other flammable vapors and liquids.</li> <li>• <b>DO</b> examine venting system periodically and replace damaged parts.</li> <li>• <b>DO</b> make a periodic visual check of pilot and burners. Clean and replace damaged parts.</li> <li>• <b>CAUTION:</b> The glass used in your fireplace is tempered glass. If the glass is cracked or damaged in any way, it should be replaced only with a complete glass frame assembly from Empire. See parts list on Page 33 for ordering.</li> <li>• <b>DO NOT</b> use this fireplace if any part has been under water. Immediately call a qualified service technician to inspect the heater and to replace any part of the control system and any gas control which has been under water.</li> <li>• Any safety screen or guard removed for servicing an appliance must be replaced prior to operating the appliance.</li> </ul> |
|-----------------------------------------------------------------------------------------------------------------------------------------------------------------------------------------------------------------------------------------------------------------------------------------------------------------------------------------------------------------------------------------------------------------------------------------------------------------------------------------------------------------------------------------------------------------------------------------------------------------------------------------------------------------------------------------------------------------------------------------------------------------------------------------------------------------------------------------------------------------------------------------------------------------------------------------------------------------------------------------------------|----------------------------------------------------------------------------------------------------------------------------------------------------------------------------------------------------------------------------------------------------------------------------------------------------------------------------------------------------------------------------------------------------------------------------------------------------------------------------------------------------------------------------------------------------------------------------------------------------------------------------------------------------------------------------------------------------------------------------------------------------------------------------------------------------------------------------------------------------------------------------------------------------------------------------------------------------------------------------------------------------------------|

## SAFETY INFORMATION FOR USERS OF LP-GAS

Propane (LP-Gas) is a flammable gas which can cause fires and explosions. In its natural state, propane is odorless and colorless. You may not know all the following safety precautions which can protect both you and your family from an accident. Read them carefully now, then review them point

by point with the members of your household. Someday when there may not be a minute to lose, everyone's safety will depend on knowing exactly what to do. If, after reading the following information, you feel you still need more information, please contact your gas supplier.

### LP-GAS WARNING ODOR

If a gas leak happens, you should be able to smell the gas because of the odorant put in the LP-Gas.

That's your signal to go into immediate action!

- Do not operate electric switches, light matches, use your phone. Do not do anything that could ignite the gas.
- Get everyone out of the building, vehicle, trailer, or area. Do that IMMEDIATELY.
- Close all gas tank or cylinder supply valves.
- LP-Gas is heavier than air and may settle in low areas such as basements. When you have reason to suspect a gas leak, keep out of basements and other low areas. Stay out until firefighters declare them to be safe.
- Use your neighbor's phone and call a trained LP-Gas service person and the fire department. Even though you may not continue to smell gas, do not turn on the gas again. Do not re-enter the building, vehicle, trailer, or area.
- **Finally**, let the service man and firefighters check for escaped gas. Have them air out the area before you return. Properly trained LP-Gas service people should repair the leak, then check and relight the gas appliance for you.

### NO ODOR DETECTED - ODOR FADE

Some people cannot smell well. Some people cannot smell the odor of the chemical put into the gas. You must find out if you can smell the odorant in propane. Smoking can decrease your ability to smell. Being around an odor for a time can affect your sensitivity or ability to detect that odor. Sometimes other odors in the area mask the gas odor. People may not smell the gas odor or their minds are on something else. Thinking about smelling a gas odor can make it easier to smell.

The odorant in LP-gas is colorless, and it can fade under some circumstances. For example, if there is an underground leak, the movement of the gas through soil can filter the odorant. Odorants in LP-Gas also are subject to oxidation. This fading can

occur if there is rust inside the storage tank or in iron gas pipes.

The odorant in escaped gas can adsorb or absorb onto or into walls, masonry and other materials and fabrics in a room. That will take some of the odorant out of the gas, reducing its odor intensity.

LP-Gas may stratify in a closed area, and the odor intensity could vary at different levels. Since it is heavier than air, there may be more odor at lower levels. Always be sensitive to the slightest gas odor. If you detect any odor, treat it as a serious leak. Immediately go into action as instructed earlier.

### SOME POINTS TO REMEMBER

- **Learn to recognize the odor of LP-gas.** Your local LP-Gas Dealer can give you a "Scratch and Sniff" pamphlet. Use it to find out what the propane odor smells like. If you suspect that your LP-Gas has a weak or abnormal odor, call your LP-Gas Dealer.
- If you are not qualified, do not light pilot lights, perform service, or make adjustments to appliances on the LP-Gas system. If you are qualified, consciously think about the odor of LP-Gas prior to and while lighting pilot lights or performing service or making adjustments.
- Sometimes a basement or a closed-up house has a musty smell that can cover up the LP-Gas odor. Do not try to light pilot lights, perform service, or make adjustments in an area where the conditions are such that you may not detect the odor if there has been a leak of LP-Gas.
- Odor fade, due to oxidation by rust or adsorption on walls of new cylinders and tanks, is possible. Therefore, people should be particularly alert and careful when new tanks or cylinders are placed in service. Odor fade can occur in new tanks, or reinstalled old tanks, if they are filled and allowed to set too long before refilling. Cylinders and tanks which have been out of service for a time may develop internal rust which will cause odor fade. If such conditions are suspected to exist, a periodic sniff test of the gas is advisable. **If you have any question about the gas odor, call your LP-gas dealer. A periodic sniff test of the LP-gas is a good safety measure under any condition.**
- If, at any time, you do not smell the LP-Gas odorant and you think you should, assume you have a leak. Then take the same immediate action recommended above for the occasion when you do detect the odorized LP-Gas.
- If you experience a complete "gas out," (the container is under no vapor pressure), turn the tank valve off immediately. If the container valve is left on, the container may draw in some air through openings such as pilot light orifices. If this occurs, some new internal rusting could occur. If the valve is left open, then treat the container as a new tank. Always be sure your container is under vapor pressure by turning it off at the container before it goes completely empty or having it refilled before it is completely empty.

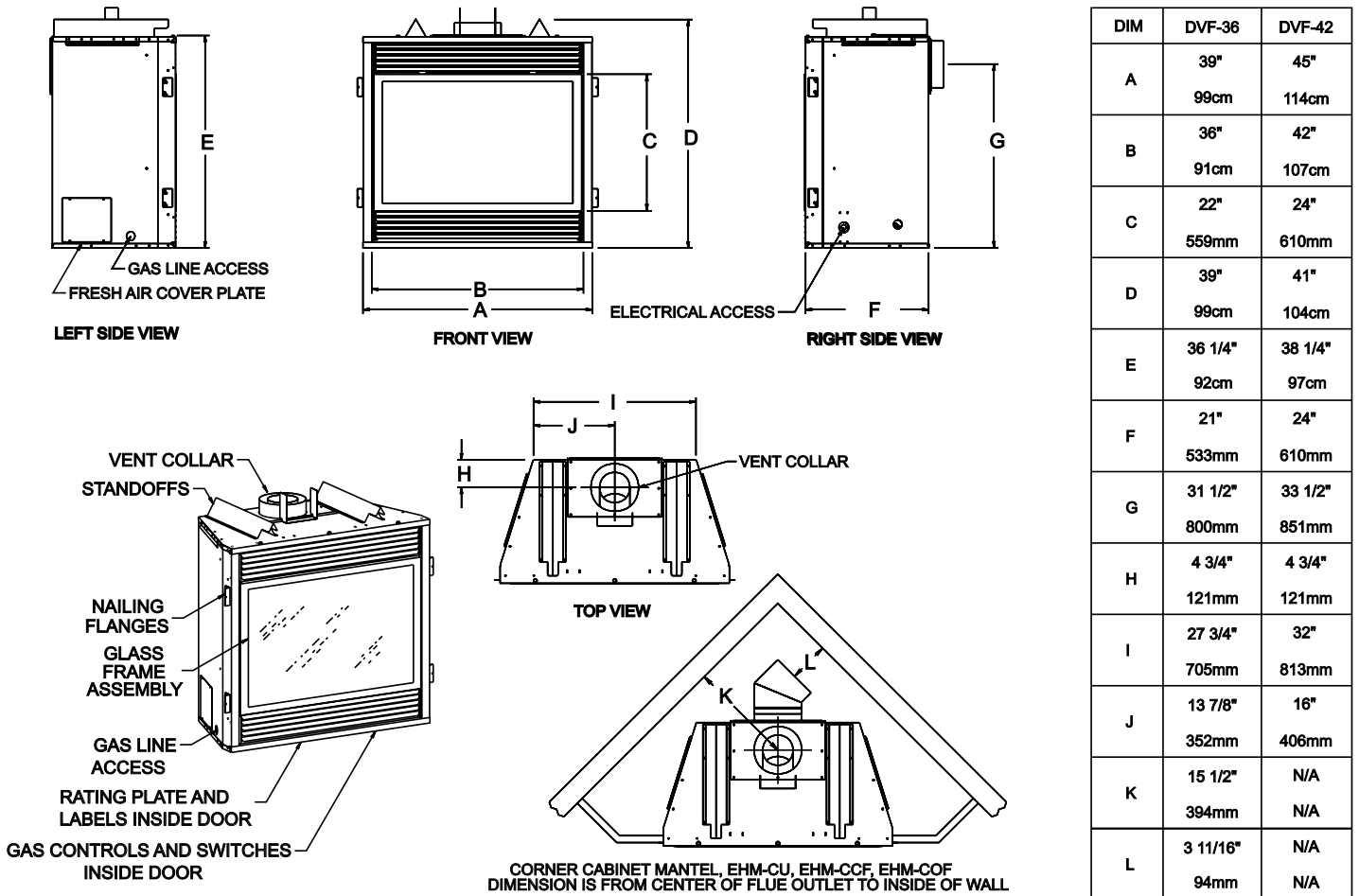
# SPECIFICATIONS

Model	DVF-36	DVF-36IP	DVF-42	DVF-42IP
Input BTU/HR (KW/H) Maximum	25,000 (7.3)	25,000 (7.3)	28,000 (8.2)	28,000 (8.2)
BTU/HR (KW/H) Minmum	17,500 (5.1)	—	18,500 (5.4)	—
Height without standoff	36 1/4"	36 1/4"	38 1/4"	38 1/4"
Width	39"	39"	45"	45"
Depth	21"	21"	24"	24"
Gas Inlet (Pipe)	3/8"	1/2"	3/8"	1/2"
<b>Accessories for All DVF-36 &amp; DVF-42 Models</b>				
FRBC-1	Battery Operated Remote Control			
FRBTC-1	Battery Operated Remote Control with Thermostat (Only used when fireplace is converted into a heater. See Page 5.)			
FREC-1	Electric Remote Control			
FWS-1	Wall Switch			
DVF-VKT-1	Direct Vent Fireplace Vent Kit (Top Vent) (standard through the wall venting) (Includes SD-1208, SD-1291, SD-1290 and Firestop)			
DVF-VKR-1	Direct Vent Fireplace Vent Kit (Rear Vent) (standard through the wall venting) (Includes SD-1208, SD-1284 and Firestop)			
FB-AK-2	Kit for Fresh Air Plus for Direct Vent Fireplaces			
FB-BK-2	Automatic Blower			
<b>Accessories for All DVF-36 &amp; DVF-42 Standing Pilot Models</b>				
GWSG-T	750 Millivolt Wall Thermostat (Only used when fireplace is converted into a heater. See Page 5.)			

<b>DVF-36 Accessories Only</b>	
DVF-BL-36	36" Brick Liner
FBF-36BL-2	Black Frame 36"
DVFBF-36BR-1	Polished Brass Frame 36"
FBF-36BP-2	Black Porcelain Frame 36"
FBL-36BR-2	Polished Brass Louvers 36"
FBL-36BP-2	Black Porcelain Louvers 36"
DVWT-36BR	Brass Window Trim 36"

<b>DVF-42 Accessories Only</b>	
DVF-BL-42	42" Brick Liner
FBF-42BL-2	Black Frame 42"
DVFBF-42BR-1	Polished Brass Frame 42"
FBF-42BP-2	Black Porcelain Frame 42"
FBL-42BR-2	Polished Brass Louvers 42"
FBL-42BP-2	Black Porcelain Louvers 42"
DVWT-42BR	Brass Window Trim 42"

## FIREPLACE DIMENSIONS MODEL DVF-36/DVF-42



### Installation of Upper Clearance Spacer for Vertical Vent (Figure 2)

Included with every fireplace is the upper clearance spacer. The upper clearance spacer must be attached to the top of the firebox before installation of fireplace in a vertical vent configuration.

1. Remove screw in firebox top that is behind 1/4" flange on vent cover plate and directly in front of adapter pipe.
2. Place the notched portion of upper clearance spacer facing the 1/4" flange on vent cover plate.
3. Flex firebox top and slide upper clearance spacer beneath vent cover plate.
4. Attach upper clearance spacer to firebox top with screw from Step 1.
5. Installation of upper clearance spacer is completed.

The upper clearance spacer will prevent combustible material from contacting adapter pipe.



Figure 2

**Installation of Heater Baffle (Figure 3)** Your DVF fireplace is a direct vent gas fireplace. To convert your direct vent gas fireplace into a direct vent gas fireplace, install the heater baffle into the fireplace. The heater baffle, part number 109934 is included with every fireplace.

Installation of heater baffle:

1. Push up and outward to remove top louver.
2. Lower door assembly.
3. Release two door latches at bottom of firebox.
4. Grasp bottom of glass frame, lift glass frame upward in order to release glass frame from lip on top of firebox.
5. Insert heater baffle into interior, top of fireplace. The heater baffle will be installed in front of 5" diameter vent outlet. Align two (2) clearance holes on heater baffle with two (2) screws within interior, top of fireplace. Remove two (2) screws from fireplace.
6. Attach heater baffle to interior, top of fireplace with two (2) screws from Step 5.
7. Align and place top of glass frame over lip on top of firebox.
8. Grasp bottom of glass frame, push inward and place glass frame onto firebox.
9. Attach two door latches onto bottom of glass frame.
10. Align and insert (4) mounting tabs on top louver with (4) slots on casing top. Push downward to lock the top louver into position.

Installation of heater baffle is completed. **VENT COVER**

# Introduction

This direct vent gas fireplace is designed to operate with all combustion air being siphoned from the outside of the building and all exhaust gases expelled to the outside of the building. The information contained in this manual pertains to all models and gas control systems unless otherwise noted.

**Warning: This unit is not for use with solid fuel.**

## Approval Listings and Codes

### Appliance Certification

This fireplace is design certified in accordance with American National Standard/CSA Standard Z.21.88-1998/CSA 2.33-M98 and Z21.50b-1998/CSA 2.22b-M98 by UL/CUL Laboratories as a Direct Vent Gas Fireplace Heater/Direct Vent Gas Fireplace and should be installed according to these instructions.

Consult your local building code agency, prior to installation, to ensure compliance with local codes-including permits and inspections.

The fireplace, when installed, must be electrically grounded in accordance with local codes or, in absence of local codes, with the *National Electric Code ANSI/NFPA 70* or Canadian Electric code, CSA C22.1, if an external electrical source is utilized.

These models may be installed in a bedroom or bed-sitting room in the U.S.A. and Canada.

### Qualified Installing Agency

Installation and replacement of gas piping, gas utilization equipment or accessories and repair and servicing of equipment shall be performed only by a qualified agency. The term "qualified agency" means any individual, firm, corporation or company which either in person or through a representative is engaged in and is responsible for (a) the installation or replacement of gas piping or (b) the connection, installation, repair or servicing of equipment, who is experienced in such work, familiar with all precautions required and has complied with all the requirements of the authority having jurisdiction.

The installation must conform with local codes or, in the absence of local codes, with the *National Fuel Gas Code, ANSI Z223.1* \*/ *Canadian Installation Code, CAN/CGA-B149*.

*\*Available from the American National Standards Institute, Inc. 11 West 42nd St., New York, N.Y. 10036.*

### Instructions to Installer

1. Installer must leave instruction manual with owner after installation.
2. Installer must have owner fill out and mail warranty card supplied with the fireplace.
3. Installer should show owner how to start and operate the fireplace.

**WARNING: ANY CHANGE TO THIS FIREPLACE OR ITS CONTROLS CAN BE DANGEROUS.**

**Improper installation or use of the heater can cause serious injury or death from fire, burns, explosion or carbon monoxide poisoning.**

**Any alteration of the original design, installed other than as shown in these instructions or use with a type of gas not shown on the rating plate is the responsibility of the person and company making the change.**

### Important

All correspondence should refer to complete Model No., Serial No. and type of gas.

### Aftermarket Manufactured (Mobile) Home Installation

This fireplace may be installed in an aftermarket\* manufactured (mobile) home, where not prohibited by state or local codes.

\*Aftermarket: Completion of sale, not for purpose of resale, from the manufacturer.

This fireplace is only for use with the type of gas indicated on the rating plate.

### Installation in Residential Garages

Gas utilization equipment in residential garages shall be installed so that all burners and burner ignition devices are located not less than 18" (457mm) above the floor.

Such equipment shall be located, or protected, so it is not subject to physical damage by a moving vehicle.

### High Altitude

When installing this unit at an elevation above 2000 feet (in the United States) it may be necessary to decrease the input rating by changing the existing burner orifice to a smaller size. Generally, input should be reduced 4 percent for each 1000 feet above sea level. However, if the heating value of the gas has been reduced, this general rule may not apply. Check with local gas utility for proper orifice size identification.

### Canadian High Altitude

Altitude: 0-4500 feet (0-1370 m)

**APPLIES TO CANADIAN MODELS ONLY**

When installing this unit at an elevation above 4500 feet (in Canada), check with local authorities.

Consult your local gas utility for assistance in determining the proper orifice for location.

### Preparation

This direct vent gas fireplace and its components are tested and safe when installed in accordance with this Installation Manual. Report to your dealer any parts damaged in shipment, specifically check glass condition. Do not install unit with damaged, incomplete, or substitute parts. The vent system components and trim doors are shipped in separate packages. Read all instructions before starting installation and follow these instructions carefully during installation to insure maximum benefit and safety. Failure to follow them will void your warranty and may present a fire hazard.

The warranty will be voided by, and the warranter disclaims any responsibility for the following actions:

- Installation of any damaged fireplace or vent system component.
- Modification of the fireplace or direct vent system.
- Installation other than as instructed by Empire Comfort System, Inc.
- Improper positioning of the gas logs, glass door or lava rock.
- Installation and/or use of any component part not manufactured or approved by manufacturer.

# Planning Your Installation

## Locating Your Direct Vent Gas Fireplace (Figure 5)

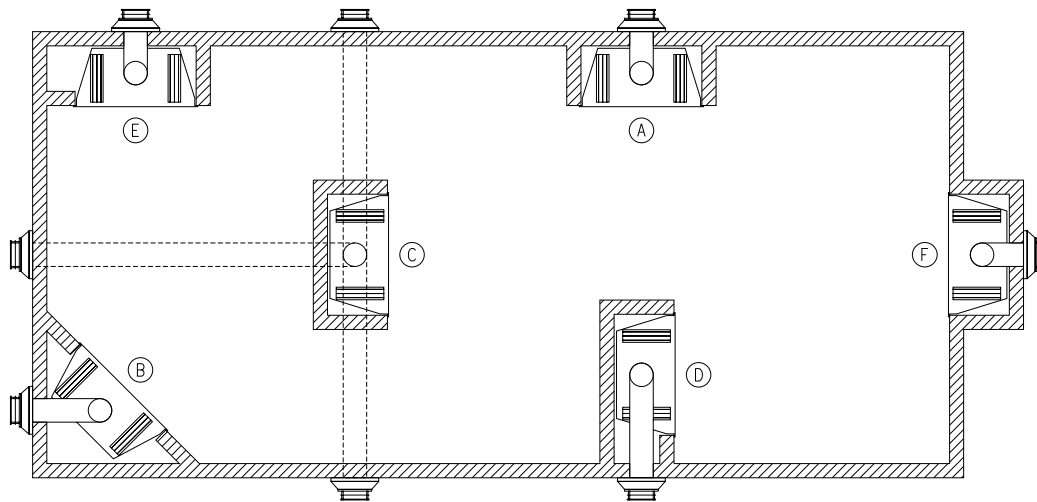


Figure 5

Note: \*\* Island (C) and Room Divider (D) installation is possible as long as the horizontal portion of the vent system (H) does not exceed 20 feet with a minimum vertical run of 8 feet. See details in Venting Section.  
 \*When you install your Direct Vent Fireplace in (D) Room divider or (E) Flat on wall corner positions, a minimum of 6 inches clearance must be maintained from the perpendicular wall and the front edge of the appliance.

## Clearance to Combustibles (Figure 6)

CLEARANCE TO COMBUSTIBLES	
BACK SPACER	0" (0 mm)
SIDE SPACER	0" (0 mm)
FLOOR	0" (0 mm)
TOP STAND OFF	0" (0 mm)
TOP FRAMING LEDGE	0" (0 mm)

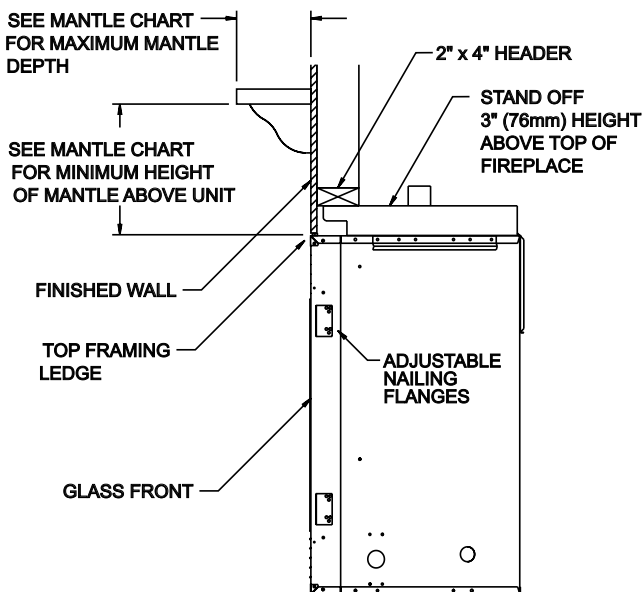


Figure 6

## Gas Line Installation (Figure 7)

The gas pipeline can be brought in through the right or left side of the appliance. Consult the current National Fuel Gas Code, ANSI Z223.1 CAN/CGA-B149 (.1 or .2) installation code.

### Recommended Gas Pipe Diameter

Pipe Length (Feet)	Schedule 40 Pipe Inside Diameter		Tubing, Type L Outside Diameter	
	Nat.	L.P.	Nat.	L.P.
0-10	1/2" 1.3 cm	3/8" 1.0 cm	1/2" 1.3 cm	3/8" 1.0 cm
10-40	1/2" 1.3 cm	1/2" 1.3 cm	5/8" 1.6 cm	1/2" 1.3 cm
40-100	1/2" 1.3 cm	1/2" 1.3 cm	3/4" 1.9 cm	1/2" 1.3 cm
100-150	3/4" 1.9 cm	1/2" 1.3 cm	7/8" 2.2 cm	3/4" 1.9 cm

**Note:** Never use plastic pipe. Check to confirm whether your local codes allow copper tubing or galvanized.

**Note:** Since some municipalities have additional local codes, it is always best to consult your local authority and installation code.

The use of the following gas connectors is recommended:

- ANS Z21.24 Appliance Connectors of Corrugated Metal Tubing and Fittings
- ANS Z21.45 Assembled Flexible Appliance Connectors of Other Than All-Metal Construction

The above connectors may be used if acceptable by the authority having jurisdiction. The State of Massachusetts requires that a flexible appliance connector cannot exceed three feet in length.

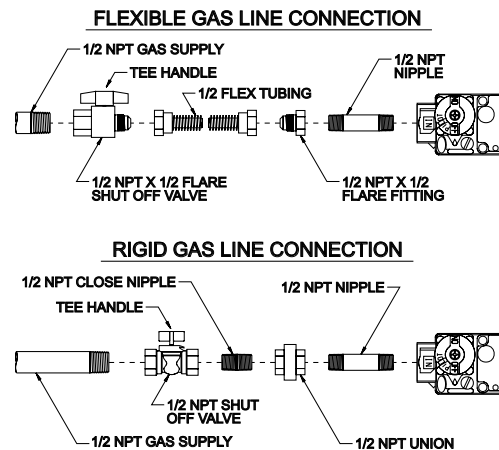


Figure 7

**VENTING RUNS**

**To Use the Vent Graph (Figure 8)**

1. Determine the height of the center of the horizontal vent pipe. Using this dimension on the Sidewall Vent Graph, locate the point it intersects with the slanted graph line.
2. From the point of this intersection, draw a vertical line to the bottom of the graph.
3. Select the indicated dimension, and position the unit in accordance with same.

**EXAMPLE A:**

If the vertical dimension from the floor of the unit is 22.5 feet, the horizontal run to the outer wall flange must not exceed 6.5 feet.

**EXAMPLE B:**

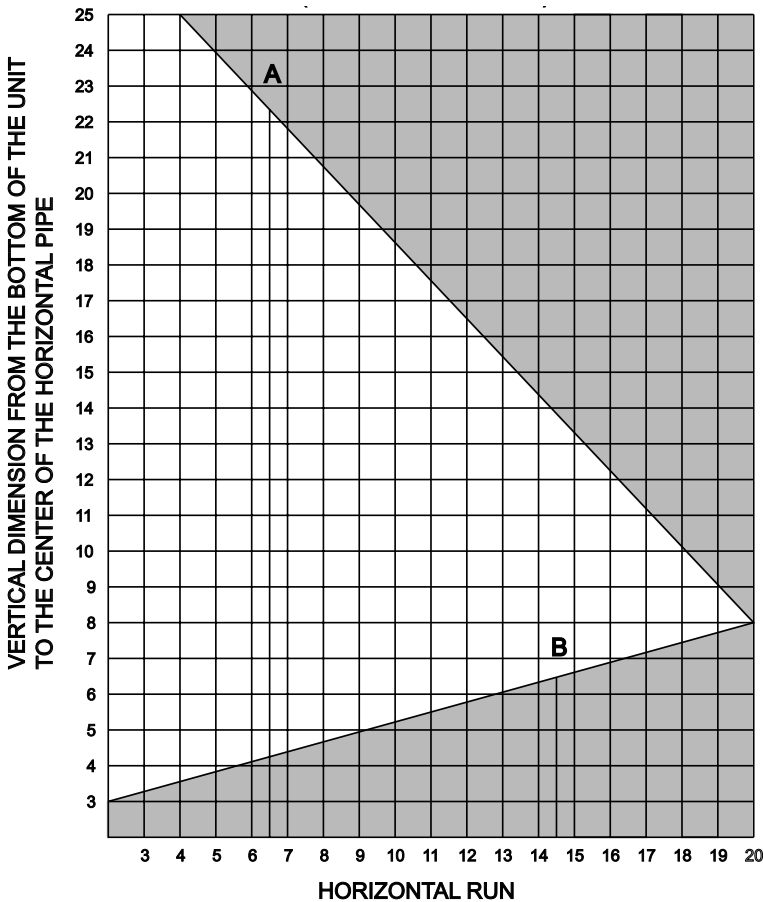
If the vertical dimension from the floor of the unit is 6.5 feet, the horizontal run to the outer wall flange must not exceed 14.5 feet.

**SPECIAL NOTE:** For each 45 degree elbow installed in the horizontal run, the length of the horizontal run **MUST** be reduced by 18" (45cm). This does not apply if the 45 degree elbows are installed on the vertical part of the vent system.

**Example:** According to the chart the maximum horizontal vent length is 20' and if two 45 degree elbows are required in the horizontal vent it must be reduced to 17'.

The maximum number of 45 degree elbows permitted per side wall installation is two (2). These elbows can be installed in either the vertical or horizontal run.

**Venting Graph (Dimensions in Feet)**



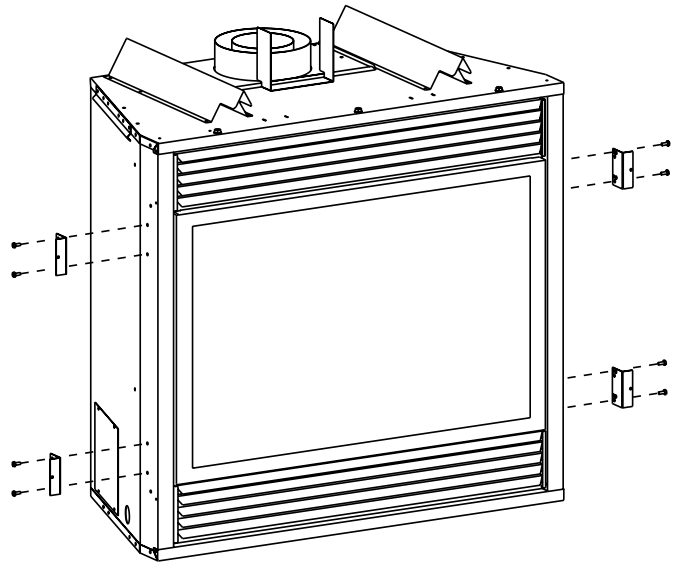
**Figure 8**

- Acceptable vertical and horizontal vent run.
- Unacceptable vertical and horizontal vent run.

**Installation**

**Framing and Finishing (Figure 9)**

1. Choose unit location.
2. Frame in fireplace with a header across the top. It is important to allow for finished face when setting the depth of the frame.
3. Attach fireplace to frame using adjustable frame. Preset depth to suit facing material (adjustable to 1/2", 5/8" or 3/4" depths).
4. Use (8) 1/2" hex-head screws supplied in hardware package, to screw through slotted holes in drywall strip and then screw into pre-drilled holes on fireplace side. Measure from face of fireplace to face of drywall strip to determine final depth. (See Figure 9)



**Figure 9**

**Attention:** When DVF is installed in optional full cabinet mantel or corner mantel the (4) four nailing flanges shown in Figure 6 will not be installed on the side of outer casing. The DVF will be attached to the full cabinet mantel or corner mantel with the (2) two nailing flanges located on the top of the outer casing assembly.



Mantel Chart (Figure 11)

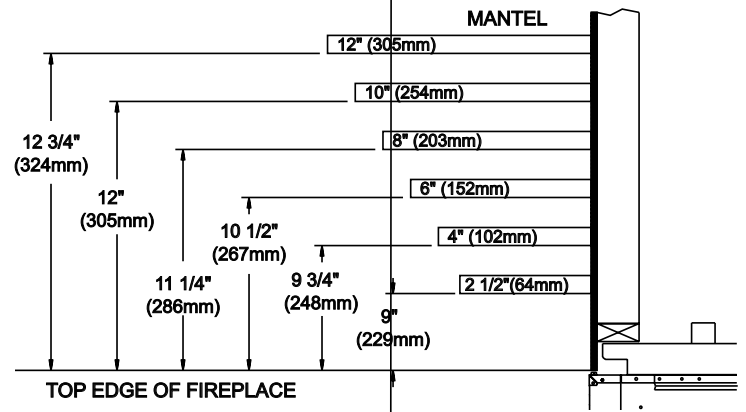
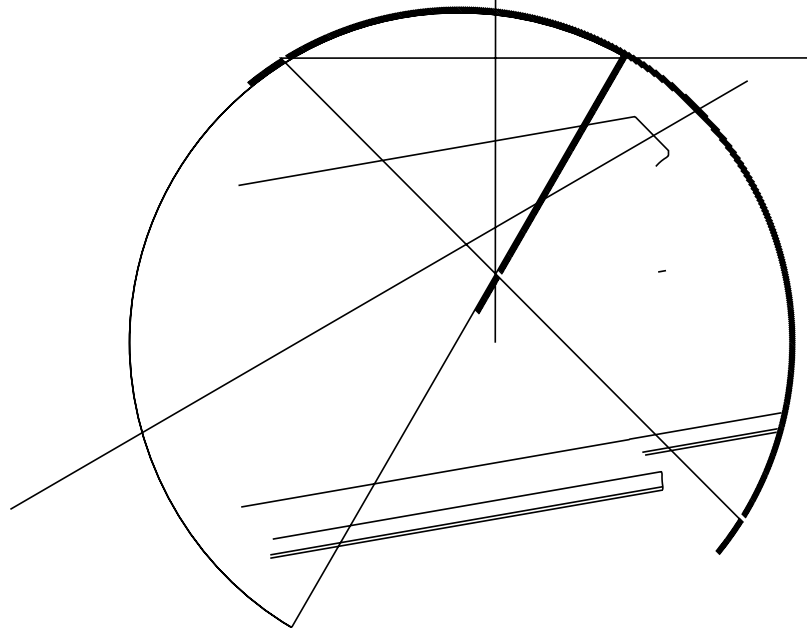


Figure 11

**Combustible Material (Figure 12)**

No greeting cards, stockings or ornamentation of any type should be placed on or attached to the fireplace. The flow of heat can ignite combustibles.



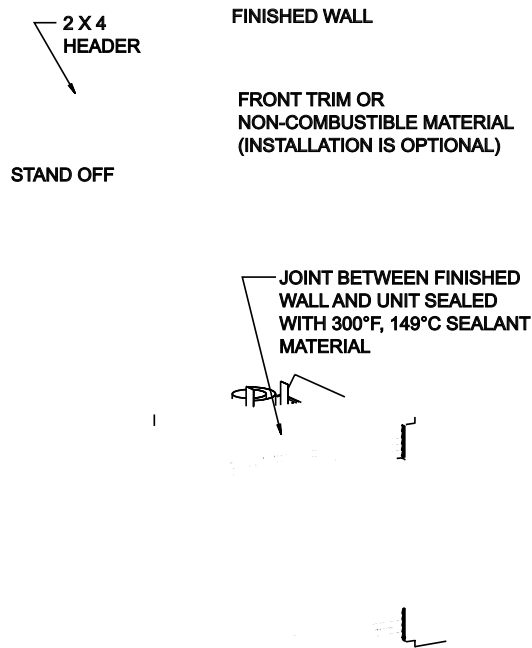
**Finishing (Figure 13)**

Finish the walls with the material of your choice. Figure 11 shows the minimum vertical and corresponding maximum horizontal dimensions of mantels or other combustible projections above the top front edge of the fireplace.

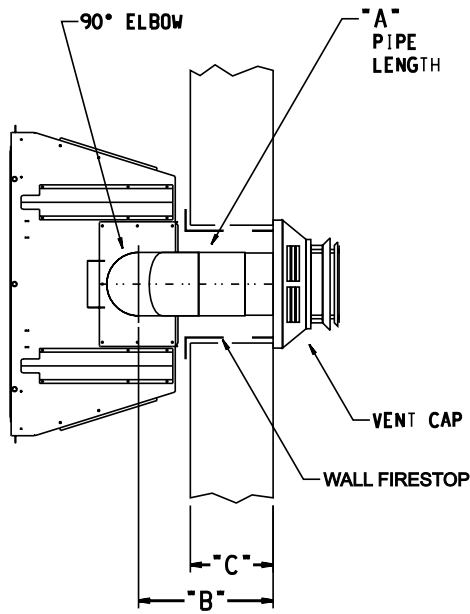
Only non-combustible materials may be used to cover the black fireplace front.

**WARNING:** When finishing the fireplace never obstruct or modify the air inlet/outlet louvers in any manner. Provide adequate clearances around air openings into the combustion chamber.

**Caution:** If the joints between the finished wall and the fireplace surround (top and sides) are sealed, a 300°F minimum sealant material must be used. These joints are not required to be sealed. Only non-combustible material (using 300°F minimum adhesive if needed), can be applied as facing to the fireplace surround.



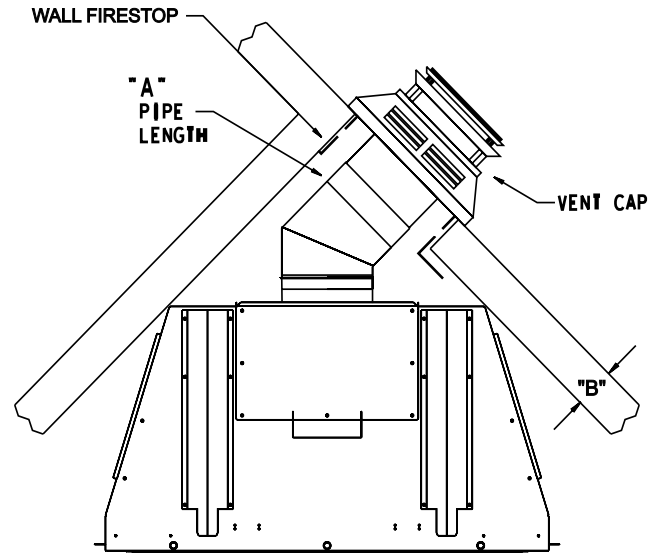
**VERTICAL, 90° ELBOW TO HORIZONTAL OUT THE WALL**



"A"	"B"	"C"
6" 152mm	9 7/16" TO 10 9/16" 240mm TO 268mm	4" TO 5 1/8" 102mm TO 130mm
9" 229mm	10 13/16" TO 13 9/16" 275mm TO 344mm	5 5/8" TO 8 1/8" 143mm TO 206mm
12" 305mm	14" TO 16 9/16" 356mm TO 421mm	8 5/8" TO 11 1/8" 219mm TO 283mm

Figure 16

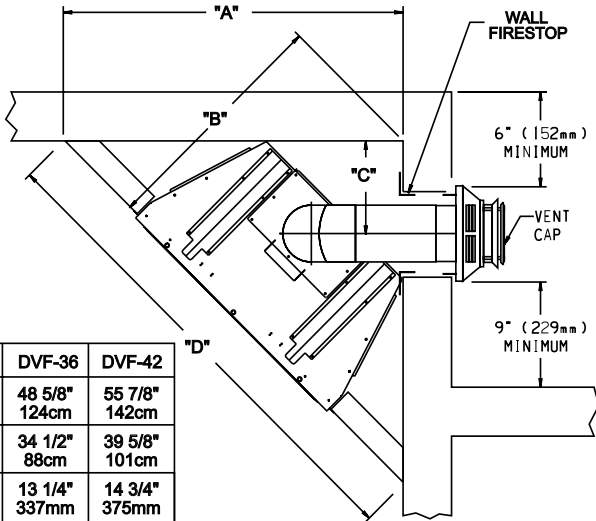
**CORNER INSTALLATION HORIZONTAL, 45° ELBOW TO HORIZONTAL OUT THE WALL**



"A"	"B"
6" 152mm	4" TO 7 1/2" 102mm TO 191mm
9" 229mm	7 5/8" TO 10 5/8" 194mm TO 270mm

Figure 18

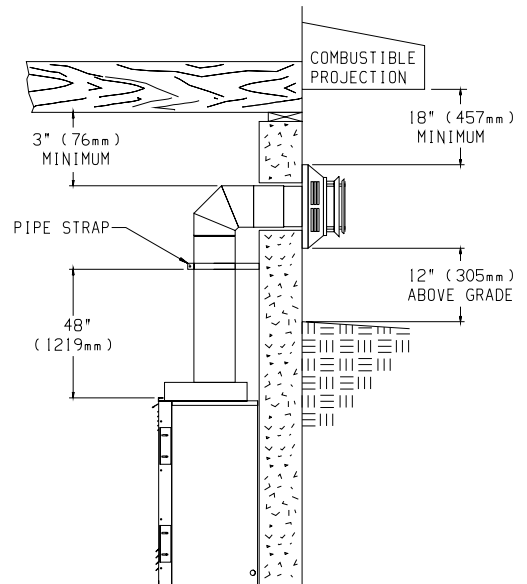
**CORNER INSTALLATION VERTICAL, 90° ELBOW TO HORIZONTAL OUT THE WALL**



DIM	DVF-36	DVF-42
"A"	48 5/8" 124cm	55 7/8" 142cm
"B"	34 1/2" 88cm	39 5/8" 101cm
"C"	13 1/4" 337mm	14 3/4" 375mm
"D"	69 1/8" 176cm	79 1/4" 201cm

Figure 17

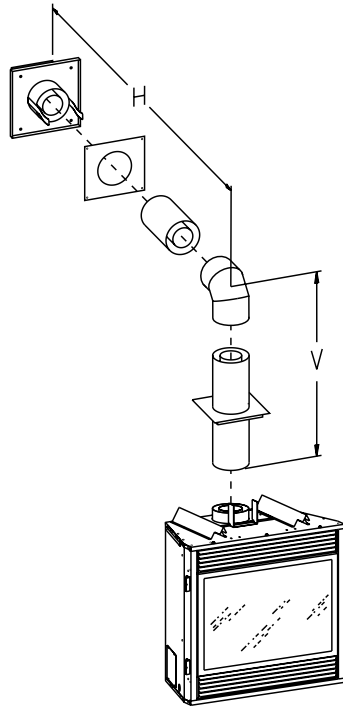
**Vertical Sidewall Application (Figures 19 and 20)**



TYPICAL BASEMENT INSTALLATION

Figure 19

Figure 20 and Chart 1 lists examples of possible venting systems using one (1) 90° elbow. Eight (8) feet is listed as maximum vertical vent run with 20 feet of maximum horizontal vent run. Vertical dimensions are based on centerline to centerline of pipe. Horizontal dimensions are based on centerline of pipe to end of termination.



SEE CHART FOR PERMISSIBLE "H" AND "V" DIMENSIONS

Figure 20

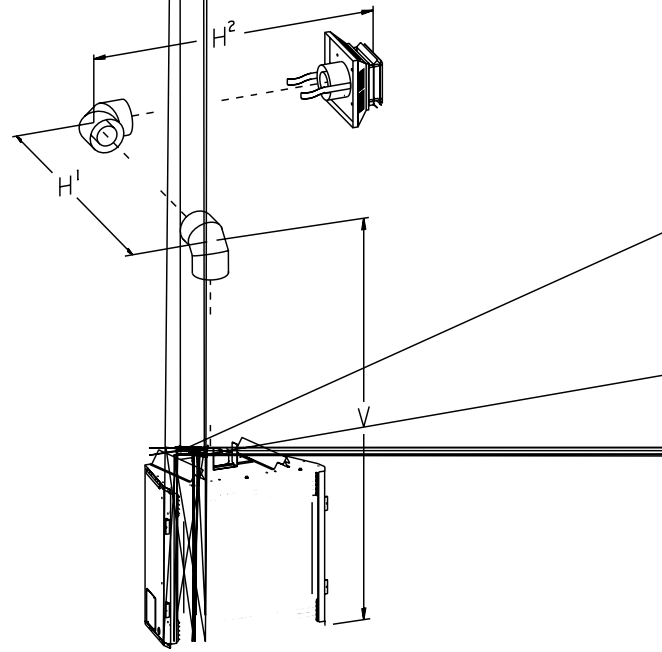
**CHART 1 (Figures 21, 22 and 23)**  
**Venting with One (1) 90° Elbow or Two (2) 90° Elbows**

Total Vertical (With Fire Box) V	Total Horizontal H <sup>1</sup> or H <sup>1</sup> + H <sup>2</sup>
4.5' minimum	3' maximum
4.5' minimum	4' maximum
5' minimum	8' maximum
6' minimum	12' maximum
7' minimum	15' maximum
8' minimum	20' maximum

25' maximum vertical  
 20' maximum horizontal run

Figure 21 and Chart 1 list examples of possible venting systems using two (2) 90° elbows. V is listed as minimum vertical dimensions and H<sup>1</sup> + H<sup>2</sup> is listed as total of maximum horizontal dimensions. The maximum vertical and horizontal distances for two (2) 90° elbows as shown in Figure 21 are 20 feet.

Attention: Refer to Figure 8 for additional venting requirements.

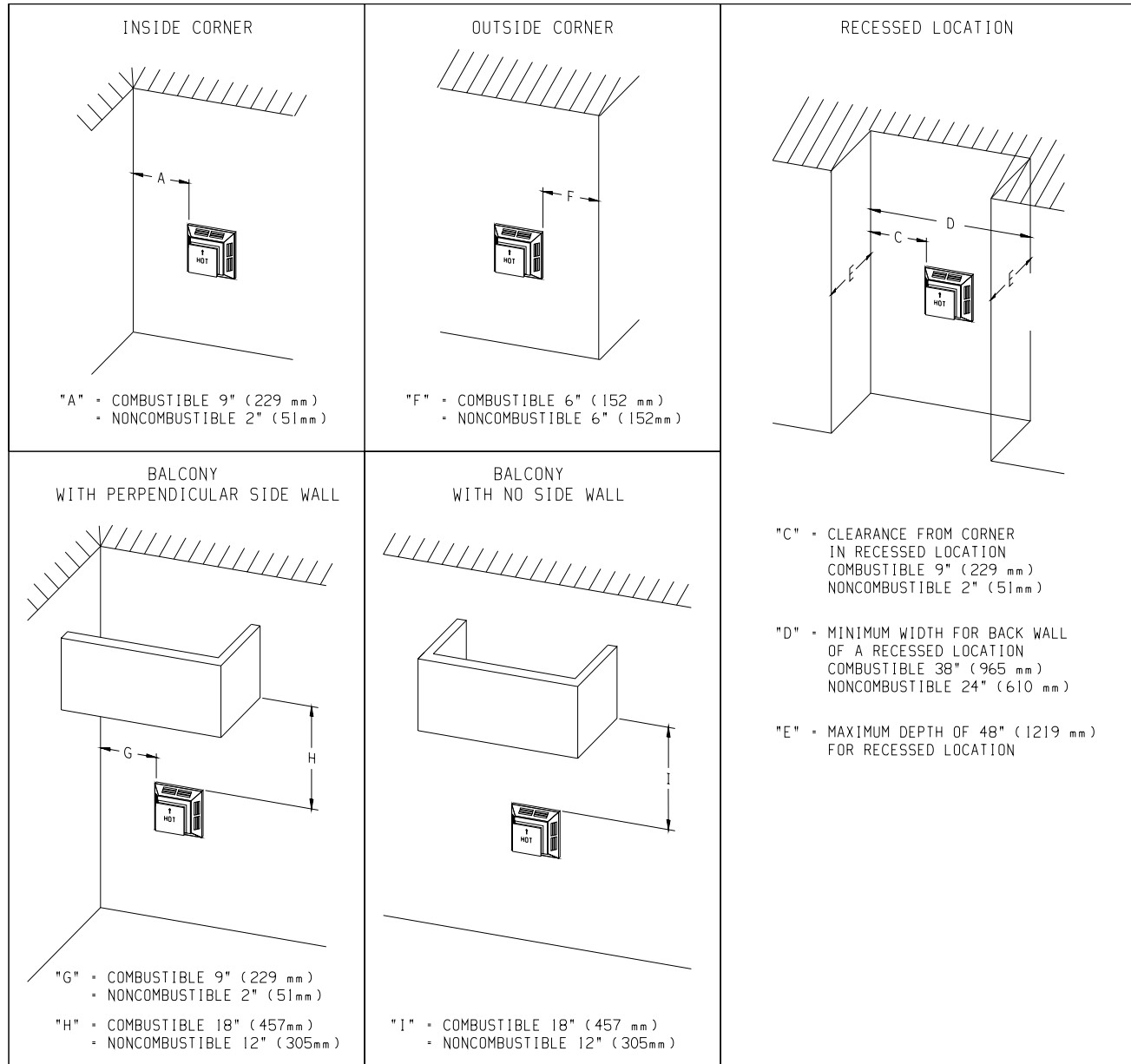


SEE CHART FOR PERMISSIBLE "H" AND "V" DIMENSIONS  
 NOTE: H<sup>1</sup> AND H<sup>2</sup> MUST BE ADDED TOGETHER TO USE CHART



## Termination Clearances (Figure 25)

Termination clearance for buildings with combustible and noncombustible exteriors.



**Figure 25**

### Vertical Sidewall Installations

**Important!** Minimum clearance between vent pipes and combustible materials is three (3") (76mm) on top, and (1") (25mm) on bottom and sides.

**Important!** When vent termination exits through foundation less than 20" below siding outcrop, the vent pipe must flush up with the siding. SD-1284 termination cap must also be used.

### Information on Various Venting Routes and Components

**Important:** It is always best to locate the fireplace in such a way that minimizes the number of offsets and horizontal vent length.

Since it is very important that the venting system maintain its balance between the combustion air intake and the flue gas exhaust, certain limitations as to vent configurations apply and must be strictly adhered to.

The graph showing the relationship between vertical and horizontal side wall venting will help to determine the various vent lengths allowable.

The horizontal vent run refers to the total length of vent pipe from the flue collar of the fireplace to the face of the outer wall.

The maximum horizontal vent run is 20 feet (457 cm) when the vertical vent rise is 8 feet (244 cm) (See Figure 24)

Venting terminals shall not be recessed into wall or siding.

**Figure 26**

### Installing Vent Components (Figure 27)

Begin the vent system installation by installing the first component, 90° elbow to the starting collars or straight pipe on the top of the appliance, then the straight pipe length and then horizontal or vertical termination kit.

**NOTE: All 8 inch outer connection joints must be sealed with aluminum tape or silicone sealant rated above 300°F/149°C. The 5 inch inner flue joints do not require any sealant.**

All vent system components lock into place by sliding the concentric pipe section with four (4) equally spaced interior beads onto the appliance collar or previously installed component end with four (4) equally spaced indented sections. When the internal beads of each starting 8 inch outer pipe line up, rotate pipe section clockwise 90° (approximately 3 inches). The vent pipe is now locked together.

Continue adding components per the pre-planned vent system configuration. Be certain that each succeeding vent component is securely fitted and locked into the preceding component in the vent system.

### Installing Support Brackets (Figure 28)

A horizontal pipe support **MUST BE** used for each 3 feet of horizontal run. The pipe supports should be placed around 8 inch diameter pipe and nailed in place to framing members. There **MUST BE** a 3 inch clearance to combustibles above 8 inch diameter pipe and elbows and 1 inch clearance on both sides and bottom of 8 inch to combustibles on all horizontal pipe sections and elbows.

Vertical runs of this vent systems must be supported every 4 feet above the appliance flue outlet by wall brackets attached to the 8 inch vent pipe and secured with nails or screws to structural framing members.

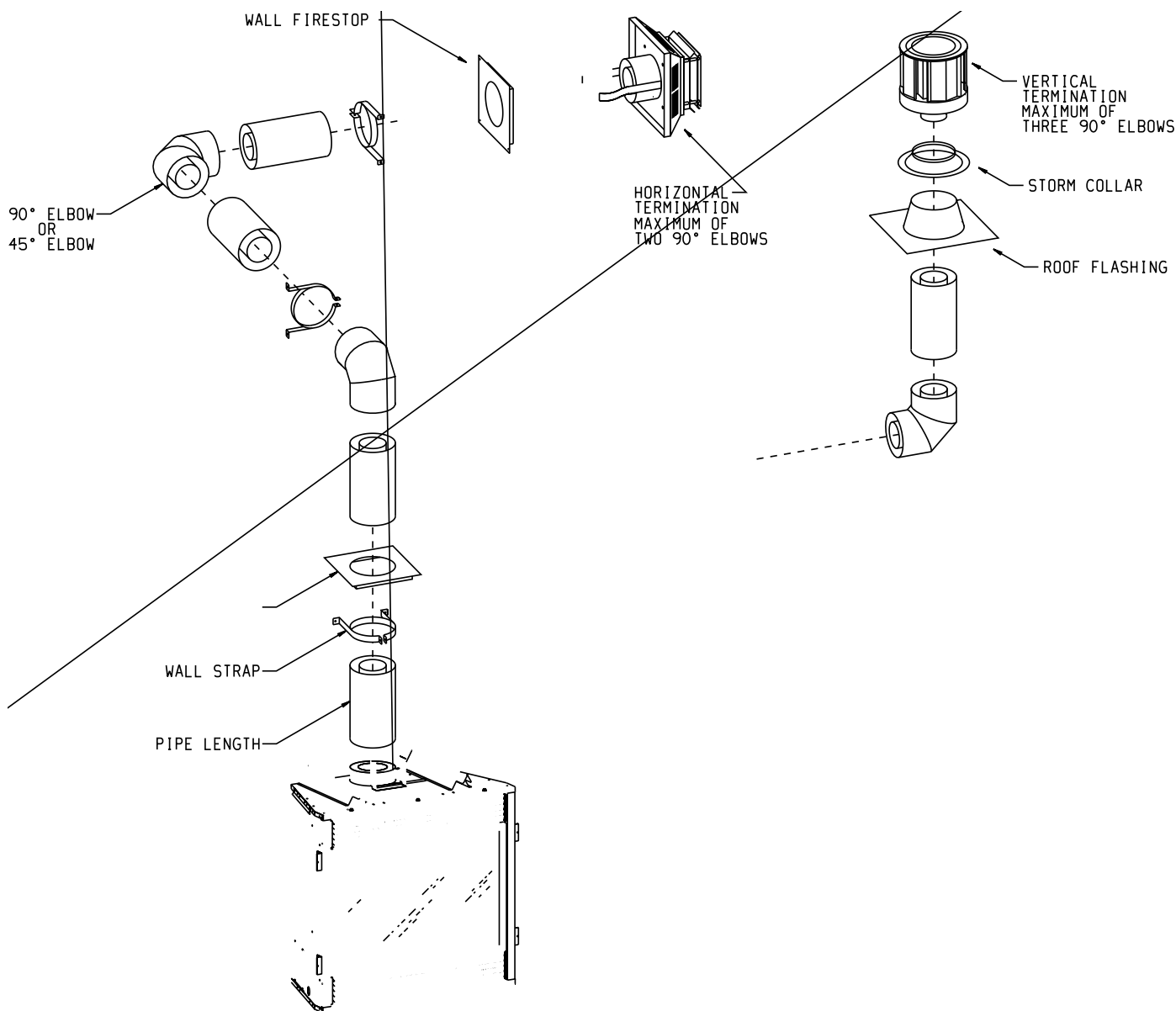


Figure 27



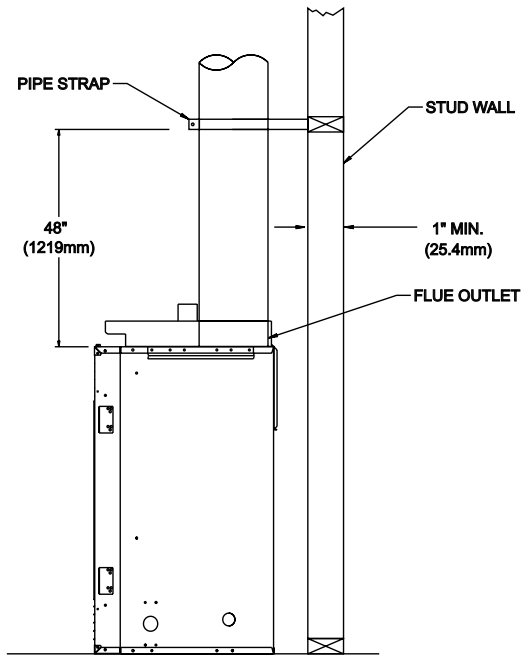


Figure 28

**Installing Firestops (Figures 29, 30, 31 and 32)**

Firestops are required for safety whenever the vent system passes through an interior wall, an exterior wall, or a ceiling. These firestops act as a firebreak heat shield and as a means to insure that minimum clearances are maintained to the vent system.

Cut a 10-3/8 inch x 12-3/8 inch hole in wall. Position firestop (SD-1249) on **interior** side of wall for 10-3/8 inch x 12-3/8 inch hole. **Attention:** Wall firestop hole is off-set towards bottom of wall opening. Secure with nails or screws. Continue the vent run through the firestop. (See Figure 29)

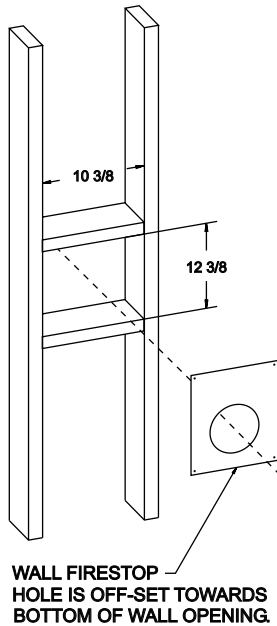


Figure 29

Vertical runs of this system which pass through ceilings require the use of ONE (1) ceiling firestop at the hole in each ceiling through which the vent passes.

Position a plumb bob directly over the center of the vertical vent component and mark the ceiling to establish the center point of the vent. Drill a hole or drive a nail through this center point and check the floor above for any obstructions such as wiring or plumbing runs. Reposition the fireplace and vent system, if necessary, to accommodate ceiling joists and/or obstructions.

Cut a 10-1/2 inch x 10-1/2 inch hole through the ceiling, using the center point previously marked. Frame the hole with framing lumber the same size as the ceiling joists. (See Figure 30) If the area above the ceiling is NOT an attic, position and secure the ceiling firestop (SD-1263) on the ceiling side of the previously cut and framed hole. (See Figure 31) If the area above the ceiling is an attic, position and secure the firestop on top of the previously framed hole. (See Figure 32)

**NOTE:** Remove insulation from the framed area in the attic before installing the firestop and/or vent pipe.

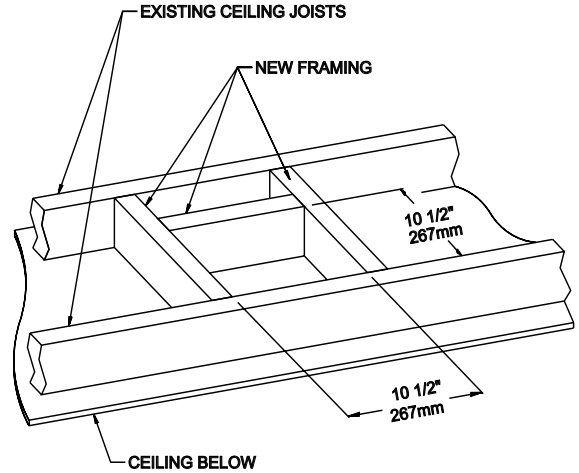


Figure 30

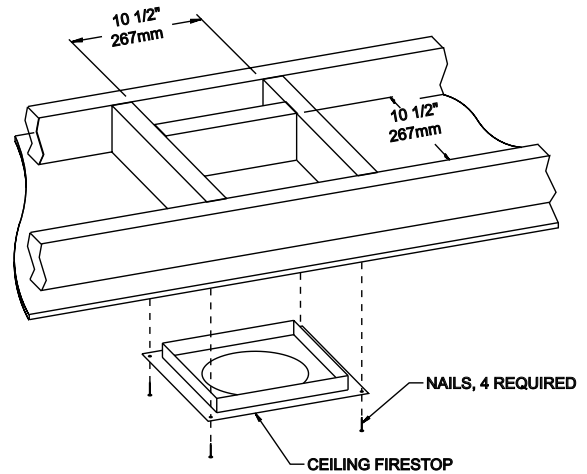
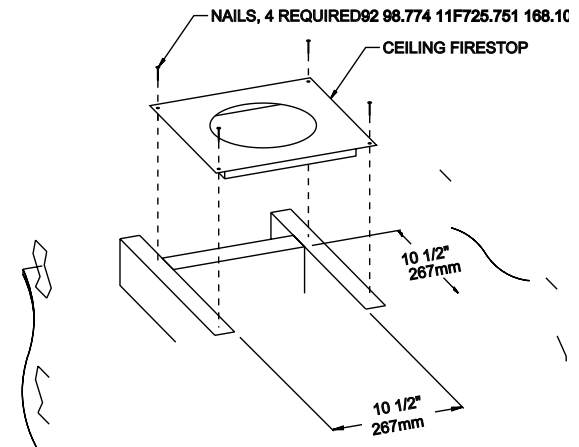


Figure 31



**Horizontal Terminations (Figure 33)**

**NOTE:** Termination cap should pass through the wall firestop from the exterior of the building. Adjust the termination cap to its final exterior position on the building.

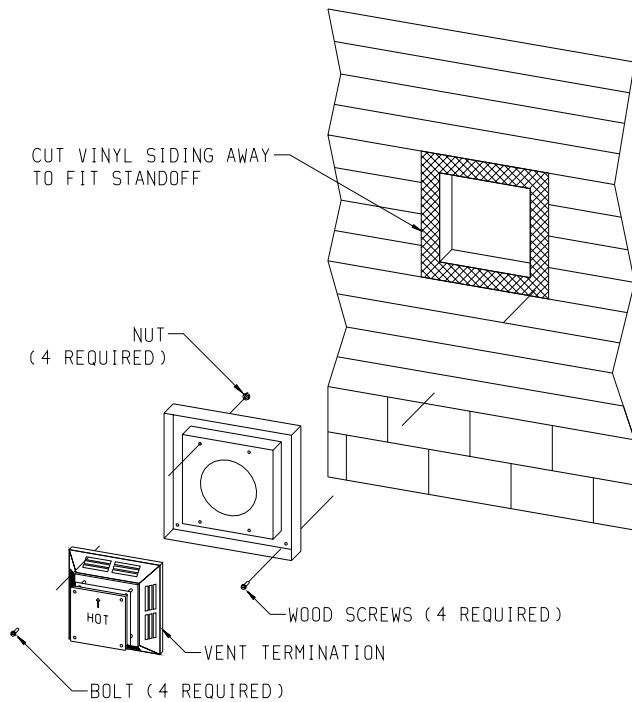
**WARNING:** Termination cap must be positioned so that arrow is pointing up.

Attach the termination cap with the four wood screws provided. Before attachment of the termination, run a bead of silicone sealant rated above 250°F on its outside edge too, so as to make a seal to the exterior wall.

**NOTE:** Wood screws can and should be replaced with appropriate fasteners for use on stucco, brick, concrete or other types of siding.

**CAUTION:** If exterior walls are finished with vinyl siding, it is necessary to install the vinyl siding shield (SD-1250).

Vinyl siding shield (SD-1250) will be installed between the vent termination and the exterior wall. (See Figure 33) This horizontal vent termination bolts onto the flat portion of the vinyl siding standoff, so an air space will exist between the wall and the termination cap.



**Figure 33**

**Vertical Terminations (Figures 34 and 35)**

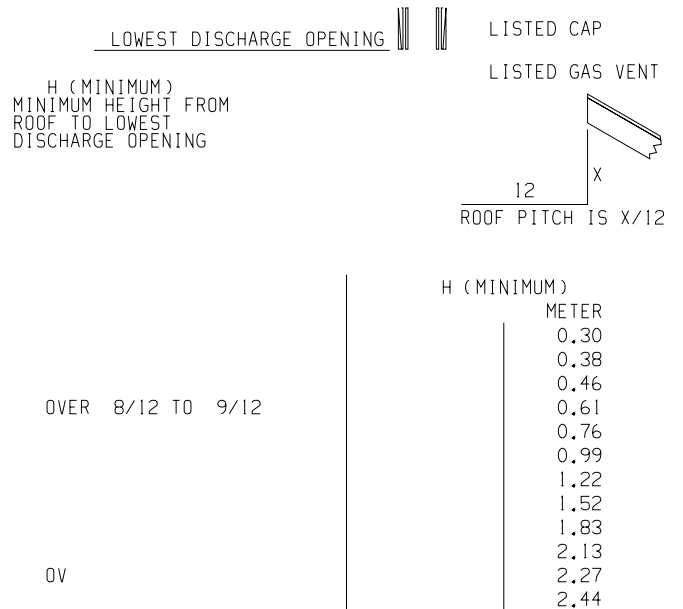
Locate and mark the center point of the venting pipe. Using a nail on the underside of the roof and drive this nail through this center point. Make the outline of the roof hole around this center point.

**NOTE:** Size of the roof hole dimensions depend on the pitch of the roof. There must be a 1 inch clearance (25mm) to the vertical pipe sections. This clearance is to all combustible material.

Cover the opening of the vent pipe and cut and frame the roof hole. Use framing lumber the same size as the roof rafters and install the frame securely. Flashing anchored to frame must withstand high winds. The storm collar is placed over this joint to make a water-tight seal. Non-hardening sealant should be used to completely seal this flashing installation.

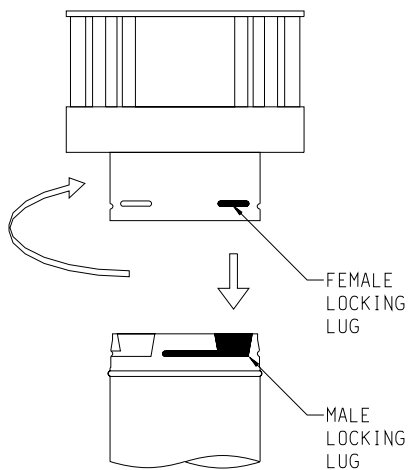
**Determining Minimum Vent Height Above the Roof.**

**WARNING:** Major U.S. building codes specify minimum chimney and/or vent height above the roof top. These minimum heights are necessary in the interest of safety. These specifications are summarized in Figure 34.



## Installing the Vent System in a Chase

A chase is a vertical box like structure built to enclose the gas appliance and/or its vent system. Vertical vent runs on the outside of a building may be, but are not required to be installed inside a chase.



SLIDE FEMALE LOCKING LUG DOWN INTO MALE LOCKING LUG AND TWIST CLOCKWISE TO LOCK

Figure 35

**CAUTION:** Treatment of firestop spacers and construction of the chase may vary with the type of building. These instructions are not substitutes for the requirements of local building codes. Therefore, your local building codes must be checked to determine the requirements for these steps.

**NOTE:** When installing this vent system in a chase, it is always good building practice to insulate the chase as you would the outside walls of your home. This is especially important for cold climate installations. Upon completion of building your chase framing, install the vent system by following the instructions in this manual. Remember to build the chase large enough so that minimum clearance of combustible materials (including insulation) to the vent system are maintained.

### Reassembly and Resealing Vent Pipe System

Attach adapter pipe to vent cover in either the vertical or horizontal position, replace horizontal and vertical pipe lengths, elbows and horizontal or vertical termination kit.

All vent system components lock into place by sliding the concentric pipe section with four (4) equally spaced interior beads onto the appliance collar or previously installed component end with four (4) equally spaced indented sections. When the internal beads of each starting 6-5/8 inch outer pipe line up, rotate pipe section clockwise 90° (approximately 3 inches). The vent pipe is now locked together.

Continue replacing components per the vent system configuration. Be certain that each succeeding vent component is securely fitted and locked into the preceding component in the vent system.

### Vertical Through the Roof Applications (Figure 36)

Your Gas Fireplace has been approved for:

- Vertical installations up to 25 feet in height.
- Two sets of 45 degree elbow offsets within these vertical installations. From 0 to a maximum of 8 ft. a vent pipe can be used between elbows.
- Wall straps must be used to support offset pipe every 4'.

This applications will require that you first determine the roof pitch and use the appropriate venting components.

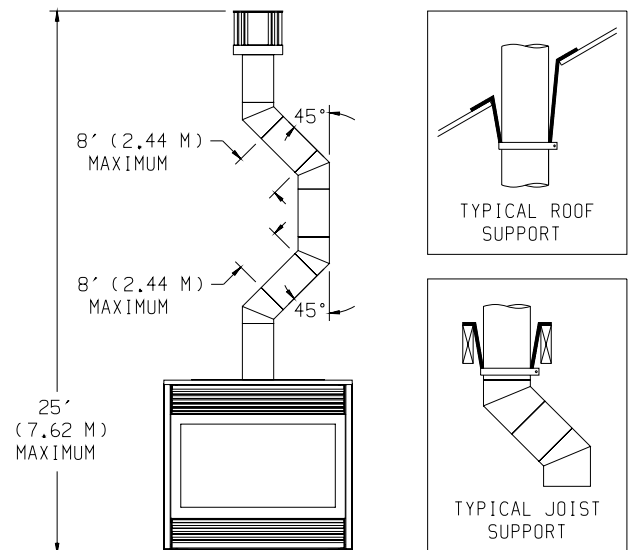


Figure 36

## Leak Testing Gas Line

Consult the current National Fuel Gas Code, ANSI Z223.1 CAN/CGA-B149 (.1 or .2) installation code.

Compounds used on threaded joints of gas piping shall be resistant to the action of liquefied petroleum gases. The gas lines must be checked for leaks by the installer. This should be done with a soap solution watching for bubbles on all exposed connections, and if unexposed, a pressure test should be made.

**Never use an exposed flame to check for leaks. Appliance must be disconnected from piping at inlet of control valve and pipe capped or plugged for pressure test. Never pressure test with appliance connected; control valve will sustain damage!**

**NOTE:** The gas control is equipped with a captured screw type pressure test point, therefore it is not necessary to provide a 1/8" test point up stream of the control.

A gas valve and ground joint union should be installed in the gas line upstream of the gas control to aid in servicing. It is required by the National Fuel Gas Code that a drip line be installed near the gas inlet. This should consist of a vertical length of pipe tee connected into the gas line that is capped on the bottom in which condensation and foreign particles may collect.

When using copper or flex connector use only approved fittings. **Always provide a union** so that gas line can be easily disconnected for burner or fan servicing. See gas specification for pressure details and ratings.

The appliance and its individual shut off valve must be disconnected from supply piping system during any pressure testing of that system at test pressures in excess of 1/2 psig (3.5kPa).

The appliance must be isolated from the gas supply piping system by closing its individual manual shut off valve during any pressure testing of the gas supply piping system at test pressures equal to or less than 1/2 psig (3.5kPa).

**Attention!** If one of the procedures results in pressures in excess of 1/2 psig (14" w.c.) (3.5 kPa) on the fireplace gas valve, it will result in a hazardous condition.

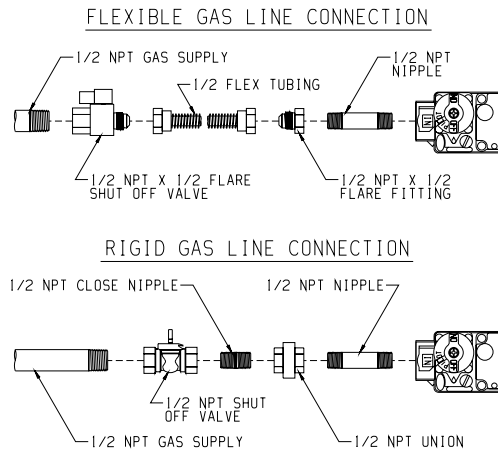


Figure 37

### Initial Set-Up and Operation

Before you begin: This unit is supplied with a set of four ceramic fiber logs. Do not handle these logs with your bare hands! Always wear gloves to prevent skin irritation from ceramic fibers. After handling logs, wash your hands gently with soap and water to remove any traces of fibers.

Every burner is shipped with a protective cover. This cover must be removed before log placement.

The positioning of the logs is critical to the safe and clean operation of this heater. Sooting and other problems may result if the logs are not properly and firmly positioned in the appliance.

### Glass Removal

1. Push up and outward to remove top louver.
2. Lower door assembly.
3. Release two door latches at bottom of firebox.
4. Grasp bottom of glass frame, lift glass frame upward in order to release glass frame from lip on top of firebox.

## Log Placement

### Proper Installation Sequence (Figure 38)

1. Install the front log (#1) in front of the grate. The log is located into a notch area in the front grate area.
2. Install the back log (#4) behind the pilot assembly directly on the pins on each side of the rear log shield.
3. The right middle log (#3) will go directly on the two pins on the right side of the flat portion of the burner.
4. The left middle log (#2) should be placed flat on the pin on the left side of the flat portion of the burner. The left middle log will rest on a pin located on the right middle log.

Refer to Figure 38 for the following warning.

**Warning:** Failure to position the parts in accordance with this diagram or failure to use only parts specifically approved with this appliance may result in property damage or personal injury.

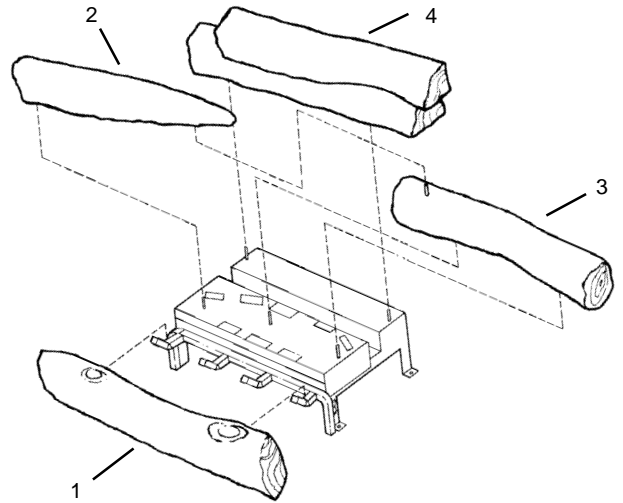


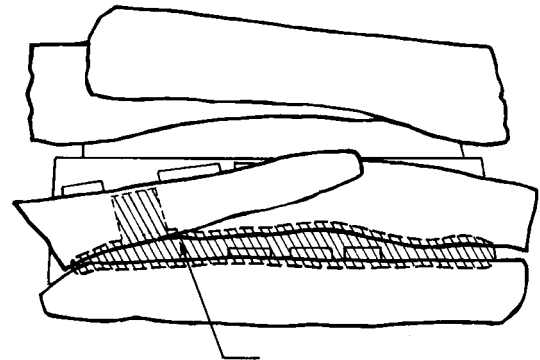
Figure 38

### Placement of Glowing Embers (Rock Wool) (Figure 39)

Provided with the log set is a small bag of glowing embers (rock wool) to be placed between logs on the flat metal surface of the burner.

#### TOP VIEW OF LOG SET

#### REAR LOG



Placement of glowing embers.

Figure 39

Placement of the glowing embers (rock wool) is very individual and light coverage of the areas indicated will provide your best effects. We recommend separation of the rock wool by hand and make your coverage as light and fluffy as possible.

Place just enough rock wool on the burner to obtain the glow and a gold yellow flame.

Do not place rock wool over large ports in rear portion of burner.

A thin layer of glowing embers (rock wool) should be placed under open space between the right and left middle logs.

Rock wool should **not** be placed in the area of the pilot assembly.

### Placing Lava (Decorative) Rock in Front of Grate and Burner Pan on Fireplace Floor

Spread lava rocks on fireplace floor in front of grate. The rocks are for decorative effect and are not required for fireplace operation.

**Attention:** Do not place lava rocks on logs, branches or rock wool. The lava rocks should only be placed on the fireplace floor.

### Glass Replacement

1. Align and place top of glass frame over lip on top of firebox.
2. Grasp bottom of glass frame, push inward and place glass frame onto firebox.
3. Attach two door latches onto bottom of glass frame.
4. Align and insert (4) mounting tabs on top louver with (4) slots casing top. Push downward to lock the top louver into position.

### Checking Manifold Pressures

Both Propane and Natural gas valves have a built-in pressure regulator in the gas valve. Natural gas models will have a manifold pressure of approximately 3.5" w.c. (.871kPa) at the valve outlet with the inlet pressure to the valve from a minimum of 4.5" w.c. (1.120kPa) for the purpose of input adjustment to a maximum of 10.5" w.c. (2.615kPa). Propane gas models will have a manifold pressure approximately 10.0" w.c. (2.49kPa) at the valve outlet with the inlet pressure to the valve from a minimum of 11.0" w.c. (2.739kPa) for the purpose of input adjustment to a maximum of 13.0" w.c. (3.237kPa).

### FLAME APPEARANCE

Flames from the pilot (rear right back side of the pan burner) as well as the main flame should be visually checked as the log set is installed.

In normal operation at full rate after 10 to 15 minutes, the flame appearance should be sets of yellow flames.

**NOTE:** Flames will be random by design, flame height will go up and down.

Glowing embers (rock wool) can cover the pan burner in between the front and middle logs, but very little is necessary to cover this area. Excess rock wool material causes the yellow flame to become orange and stringy. Apply just enough to obtain slow glow and a bright yellow flame.

During manufacturing, fabricating and shipping, various components of this appliance are treated with certain oils, films or bonding agents. These chemicals are not harmful, but may produce annoying smoke and smells as they are burned off during the initial operation of the appliance, possibly causing headaches or eye or lung irritation. This is a normal and temporary occurrence.

The initial break-in operation should last 2-3 hours with the burner at the highest setting. Provide maximum ventilation by opening windows or doors to allow odors to dissipate. Any odors remaining after this initial break-in will be slight and will disappear with continued use.

### Standing Pilot Operating Instructions

The standing pilot (750 millivolt system) is a continuous burning pilot. The pilot remains ON even when the main burner is OFF.

#### 750 Millivolt System (Figures 40 and 41)

When you ignite the pilot, the thermocouple produces millivolts (electrical current) which energizes the magnet in the gas valve. After 30 seconds to 1 minute time period you can release the gas control knob and the pilot will stay ON. Allow your pilot flame to operate an additional one (1) to two (2) minutes before you turn the gas control knob from the PILOT position to the ON position. This time period allows the millivolts (electrical current) to build-up to a sufficient level allowing the gas control to operate properly.

1. Follow the SAFETY and LIGHTING INSTRUCTIONS for standing

pilot controls found in this manual and on labels found in control compartment behind the door assembly.

**CAUTION:** During the initial purging and subsequent lightings, never allow the gas valve control knob to remain depressed in the "pilot" position without pushing the red ignitor button at least once every second.

2. During the heating season, leave the control valve knob in the "ON" position. This will allow the pilot flame to remain lit. Turn the burner flame on or off with the fireplace ON/OFF rocker switch, wall switch, remote control kit or 750 millivolt wall thermostat.

**NOTE:** The gas control valve allows you to increase or decrease the height of the main burner flame. The control valve has a pressure regulator with a knob as shown in Figure 40. Rotate the knob clockwise to "HI" to increase the flame height and counterclockwise to "LO" to decrease the flame height.

3. When the heating season is over, turn the on/off switch to "OFF" and the control valve to "OFF". The system, including the pilot light, will be shut down.

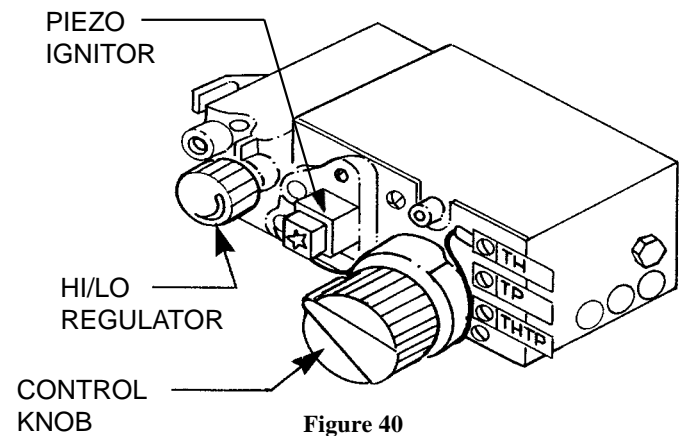


Figure 40

The OWNER should carefully read and follow these operating instructions at all times. Lower the door assembly to view the gas controls for the fireplace. Your model has a push button piezo ignitor, the fireplace has a STANDING PILOT IGNITION SYSTEM. (See Figure 41) Follow the Safety, Lighting and Operating instructions applicable to your fireplace.

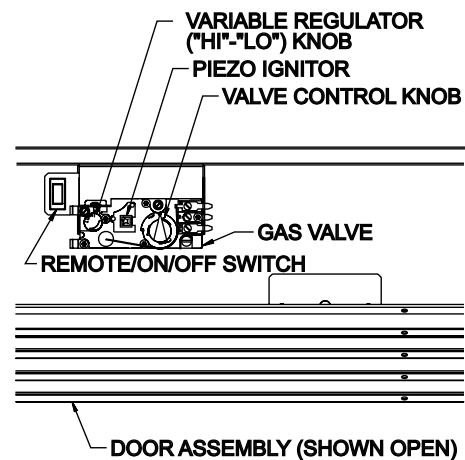


Figure 41

### Initial Lighting

Upon completing the gas line or turning the gas valve on after it has been in the "OFF" position, a small amount of air will be in the lines. When first lighting the fireplace, it will take a few minutes for the lines to purge themselves of this air. Once the purging is complete, the fireplace will light and operate satisfactorily.

Subsequent lightings of the appliance will not require such purging if the gas valve is not turned to "OFF."

### Pilot Flame (Figure 42)

The thermopile/thermocouple (standing pilot) tips should be covered with flame.

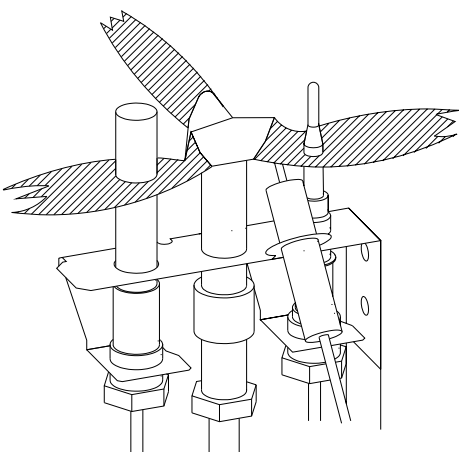


Figure 42

**Attention: Only, after the fireplace has been converted to a heater can the 750 millivolt wall thermostat, GWSG-T or battery operated remote control with thermostat, FRBTC-1 be used. See installation of heater baffle on Page 5.**

### OPERATING INSTRUCTIONS

#### ON/OFF/REMOTE Switch

DVF is equipped with an ON/OFF/REMOTE switch. A wire harness is attached to the ON/OFF/REMOTE switch. The red, black and green (wires) female push-ons attach to the ON/OFF/REMOTE switch. At the opposite end of the wire harness, the black and green (wires) female push-ons attach to the gas valve. An additional green wire and the red wire, which are stripped and bare, will attach to the 750 millivolt wall thermostat accessory, or, to one of the other accessories that can be purchased for use with your log set.

#### Operation of ON/OFF/REMOTE Switch with no Accessories

To ignite main burner, turn the control knob on the gas valve from the PILOT position to the ON position. Turn the ON/OFF/REMOTE switch from the OFF position to the ON position. The additional green wire and red wire, which are stripped and bare are not used.

#### Operation of ON/OFF/REMOTE Switch with Accessories 750 Millivolt Wall Thermostat, GWSG-T

Connect the green and red, stripped and bare, wires on the ON/OFF/REMOTE switch wire harness to the wall thermostat. Turn the ON/OFF/REMOTE switch to the REMOTE position. Set the wall thermostat to the desired temperature.

It is important to use wire of a gauge proper for the length of the wire:

#### RECOMMENDED WIRE GAUGES

Maximum Length	Wire Gauge
1' to 10'	18
10' to 25'	16
25' to 35'	14

### Wall Switch, FWS-1

Connect the green and red, stripped and bare, wires on the ON/OFF/REMOTE switch wire harness to the wall switch. Turn the ON/OFF/REMOTE switch to the REMOTE position. Pivot the rocker switch on the FWS-1 to the ON position.

### Battery Operated Remote Control, FRBC-1 and FRBTC-1

Connect the green and red, stripped and bare, wires on the ON/OFF/REMOTE switch wire harness to the remote receiver that is a component in the FRBC-1 and FRBTC-1. Turn the ON/OFF/REMOTE switch to the REMOTE position. Follow instructions in the FRBC-1 and FRBTC-1 to complete installation.

**Note:** If batteries fail in FRBC-1 or FRBTC-1, and immediate heat is desired, turn the ON/OFF/REMOTE switch from the REMOTE position to the ON position.

### Electric (120 volt) Operated Remote Control, FREC-1

Connect the green and red, stripped and bare, wires on the ON/OFF/REMOTE switch wire harness to the wires on remote receiver that is a component in the FREC-1. Turn the ON/OFF/REMOTE switch to the REMOTE position. Follow instructions in the FREC-1 to complete installation.

**Note:** If electric (120 volt) fails in FREC-1, and immediate heat is desired, turn the ON/OFF/REMOTE switch from the REMOTE position to the ON position.

### Wiring of ON/OFF/REMOTE Switch with 750 Millivolt Wall Thermostat Accessory and Another Accessory

Connect the green and red, stripped and bare, wires on the ON/OFF/REMOTE switch wire harness to the 750 millivolt wall thermostat AND to the remote receiver that is a component in the FRBC-1, FREC-1 OR to the FWS-1, wall switch.

1. Connect (1) wire from the 750 millivolt wall thermostat and (1) wire from appropriate accessory to the GREEN, stripped and bare wire from the ON/OFF/REMOTE wire harness.
2. Connect (1) wire from the 750 millivolt wall thermostat and (1) wire from appropriate accessory to the RED, stripped and bare wire from the ON/OFF/REMOTE wire harness.

**Note:** When the appliance is in the MANUAL mode and the batteries fail in the FRBC-1 or if the electric (120 volt) fails in the FREC-1, and immediate heat is desired, turn the ON/OFF/REMOTE switch from the REMOTE position to the ON position.

### Manual Operation

1. Turn ON/OFF/REMOTE switch to REMOTE position.
2. Turn wall thermostat OFF.
3. Turn accessory, FRBC-1, FRBTC-1, FREC-1 or FWS-1, ON. Appliance is now in the manual mode. You must turn the appliance ON or OFF with appropriate accessory.

### Wall Thermostat Operation

1. Turn the ON/OFF/REMOTE switch to REMOTE position.
2. Turn accessory, FRBC-1, FRBTC-1, FREC-1 or FWS-1, OFF.
3. Turn wall thermostat ON and set appropriate temperature. Wall thermostat will cycle the appliance ON and OFF.

### Installation of Remote Receiver

Place remote receiver on the floor of fireplace behind the louver as far forward as possible.

**Attention:** The velcro loop and hook are not necessary in this installation but can be used to secure remote receiver.

### Millivolt Control

The valve regulator controls the burner pressure which should be checked at the pressure test point. Turn captured screw counter clockwise 2 or 3 turns and then place tubing to pressure gauge over test point (Use test point "A" closest to control knob). After taking pressure reading, be sure and turn captured screw clockwise firmly to re-seal. Do not over torque. Check for gas leaks.

Millivolt thermopile is self powered gas valve and does not require 110 volts.

### Check System Operation

Millivolt system and all individual components may be checked with a millivolt meter 0-1000 MV range.

### Standing Pilot Wiring Diagram (Figure 43)

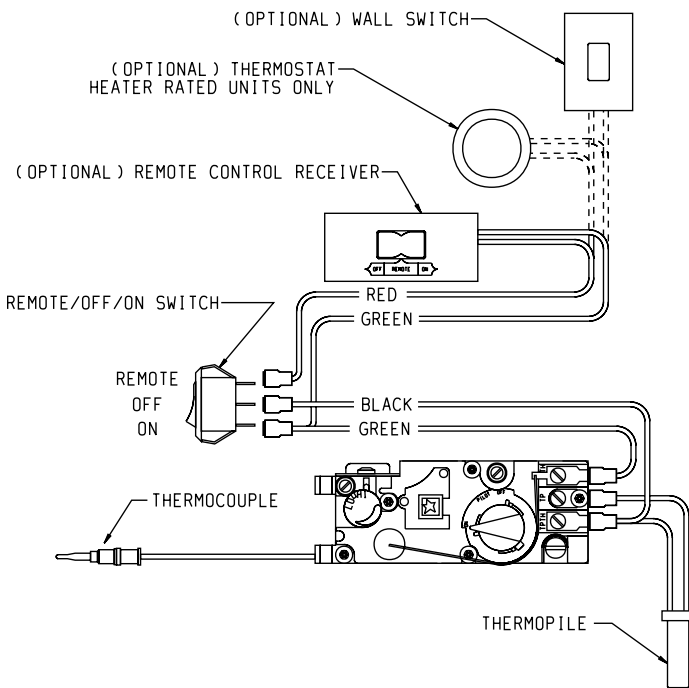


Figure 43

### Reassembly and Resealing Gas Accumulation Relief System (Relief Doors) and Combustion Chamber

Whenever the relief door is pivoted open by a delayed ignition in the main burner, the relief door gaskets and combustion chamber must be examined by a qualified service person for damage. All damaged gaskets on the relief door and combustion chamber must be replaced by a qualified service person. If damage occurs to the combustion chamber, it must be replaced by a qualified service person. Contact Empire Comfort Systems, Inc. for replacement parts.

## STANDING PILOT (MILLIVOLT) MODEL

### FOR YOUR SAFETY READ BEFORE LIGHTING

**WARNING:** If you do not follow these instructions exactly, a fire or explosion may result causing property damage, personal injury or loss of life.

- A. This fireplace has a pilot which must be lighted by hand. When lighting the pilot, follow these instructions exactly.
- B. **BEFORE LIGHTING** smell all around the appliance area for gas. Be sure to smell next to the floor because some gas is heavier than air and will settle on the floor.

#### WHAT TO DO IF YOU SMELL GAS

- Do not try to light any appliance.
- Do not touch any electrical switch; do not use any phone in your building.
- Immediately call your gas supplier from a neighbor's phone. Follow the gas supplier's instructions.

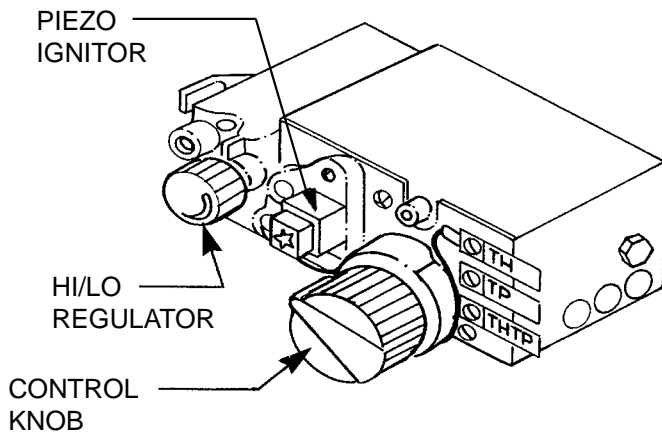
- If you cannot reach your gas supplier, call the fire department.

- C. Use only your hand to push in or turn the gas control knob. Never use tools. If the knob will not push in or turn by hand, don't try to repair it; call a qualified service technician. Force or attempted repair may result in a fire or explosion.

- D. Do not use this appliance if any part has been under water. Immediately call a qualified service technician to inspect the appliance and to replace any part of the control system and any gas control which has been under water.

### LIGHTING INSTRUCTIONS

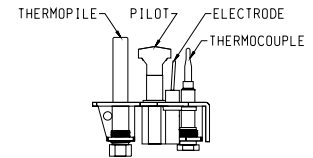
1. **STOP!** Read the safety information above.
2. Set **REMOTE/OFF/ON** switch to **OFF**.
3. Turn off all electric power to the fireplace (if applicable).
4. Lower louver front assembly.
5. Push in gas control knob slightly and turn clockwise to "OFF."



**NOTE:** Knob cannot be turned from "PILOT" to "OFF" unless knob is pushed in slightly. Do not force.

6. Wait ten (10) minutes to clear out any gas. Then smell for gas, including near the floor. If you then smell gas, **STOP!** Follow "B" in the safety information above. If you do not smell gas, go to the next step.

7. Find pilot — Follow metal tube from gas control. The pilot is behind the second log on the left side.



8. Turn gas control knob counterclockwise to "PILOT."
9. Push in control knob all the way and hold in. Immediately light the pilot with the Piezo Pilot Ignitor or use a match. Continue to hold the control knob in for about one (1) minute after the pilot is lit. Release knob, and it will pop back up. Pilot should remain lit. If it goes out, repeat steps 5 through 9.
  - If the control knob does not pop up when released, **STOP** and **IMMEDIATELY** call a qualified service technician or gas supplier.
  - If the pilot will not stay lit after several tries, turn the gas control knob to "OFF" and call your service technician or gas supplier.
10. Turn gas control knob counterclockwise to the "ON."
11. Close louver front assembly.
12. Turn on all electric power to the appliance (if applicable).
13. Set **REMOTE/OFF/ON** switch to **REMOTE** or **ON**.

### TO TURN OFF GAS TO FIREPLACE

1. Set **REMOTE/OFF/ON** switch to **OFF**.
2. Turn off all electric power to the fireplace if service is to be performed (if applicable).
3. Lower louver front assembly.

4. Push in gas control knob slightly and turn clockwise to "OFF." Do not force.
5. Close louver front assembly.



## STANDING PILOT-TROUBLE SHOOTING

With proper installation and maintenance, your new Gas Direct Vent Fireplace should provide years of trouble-free service. If you do experience a problem, refer to the Trouble Shooting Guide below. This guide will assist a qualified service person in the diagnosis of problems and the corrective action to be taken.

### 1. Spark ignitor will not light pilot after repeated triggering of piezo ignitor button.

- a. Defective ignitor (no spark electrode)  
—Check for spark at electrode and pilot; if no spark and electrode wire is properly connected, replace ignitor.
- b. No gas or low gas pressure.  
—Check remote shut off valves from fireplace. Usually there is a valve near the main. There can be more than one (1) valve between the fireplace and main.  
—Low pressure can be caused by a variety of situations such as a bent line, too narrow diameter of pipe, or low line pressure. Consult with plumber or gas supplier.
- c. No LP in tank.  
—Check LP (propane) tank. Refill tank.

### 2. Pilot will not stay lit after carefully following lighting instructions.

- a. Defective thermocouple.  
—Check that pilot flame impinges on thermocouple. Clean and/or adjust pilot for maximum flame impingement.  
—Ensure the thermocouple connection at the gas valve is fully inserted and tight (hand tight plus 1/4 turn). Faulty thermocouple if reading is below specified minimum of 15 millivolts.  
—Disconnect the thermocouple from the valve, place one millivolt meter lead wire on the end of the thermocouple and the other millivolt meter lead wire on the thermocouple copper wire. Start the pilot and hold the valve knob in. If the millivolt reading is less than 15 millivolt, replace the thermocouple.
- b. Defective valve.  
—If thermocouple is producing more than 15 millivolts, replace faulty valve.

### 3. Pilot burning, no gas to burner, valve knob "ON", on/off switch "ON."

- a. "On/Off" switch, wall switch, remote control or wires defective.  
—Check "on/off" switch and wires for proper connections. Place jumper wires across terminal at switch - if burner comes on, replace defective switch. If OK, place jumper wires across switch wires at gas valve-if burner comes on, wires are faulty or connections are bad.
- b. Thermopile may not be generating sufficient millivolts.  
—If the pilot flame is not close enough physically to the thermopile, adjust the pilot flame.  
—Be sure the wire connections from the thermopile at the gas valve terminals are tight and the thermopile is fully inserted into the pilot bracket.  
—Check the thermopile with a millivolt meter. Take the reading at TH-TP & TP terminals of the gas valve. The meter should read 350 millivolts minimum, while holding the valve knob depressed in the PILOT position, with the pilot lit, and the ON/OFF switch in the OFF position. Replace the faulty thermopile if the reading is below the specified minimum.
- c. Cotter pin disconnected from delayed ignition reset switch.  
—Refer to page 23 for description of delayed ignition reset switch and replacement of cotter pin into delayed ignition reset switch.

—With the pilot in the ON position, disconnect the thermopile leads from the valve. Take a reading at the thermopile leads. The reading should be 350 millivolts minimum. Replace the thermopile if the reading is below the minimum.

- d. Defective valve.  
—Turn valve knob to "ON." Place ON/OFF switch to "ON." Check with millivolt meter at thermopile terminals. Millivolt meter should read greater than 200 millivolts. If the reading is okay and the main burner does not ignite, replace the gas valve.
- e. Plugged main burner orifice.  
—Check main burner orifice for blockage and remove.

### 4. Frequent pilot outage problem.

- a. Pilot flame may be too high or too low, or blowing (high), causing pilot safety to drop out.  
—Clean and adjust flame for maximum flame impingement on the thermocouple. Follow lighting instructions carefully.

### 5. The pilot and main burner extinguish while in operation.

- a. No LP (Propane) in tank.  
Check LP (Propane) tank. Refill fuel tank.
- b. Inner vent pipe leaking exhaust gases back into system  
—Check for leaks.
- c. Glass too loose, gasket leaks in corners after usage.  
—Be certain glass assembly is installed correctly and tighten screws.
- d. Horizontal vent improperly pitched.  
—The horizontal vent cap should slope down only enough to prevent any water from entering the unit. The maximum downwards slope is 1/4 inch.
- e. Bad thermopile or thermocouple.  
—Replace if necessary.
- f. Improper vent cap installation.  
—Check for proper installation and freedom from debris or blockage.

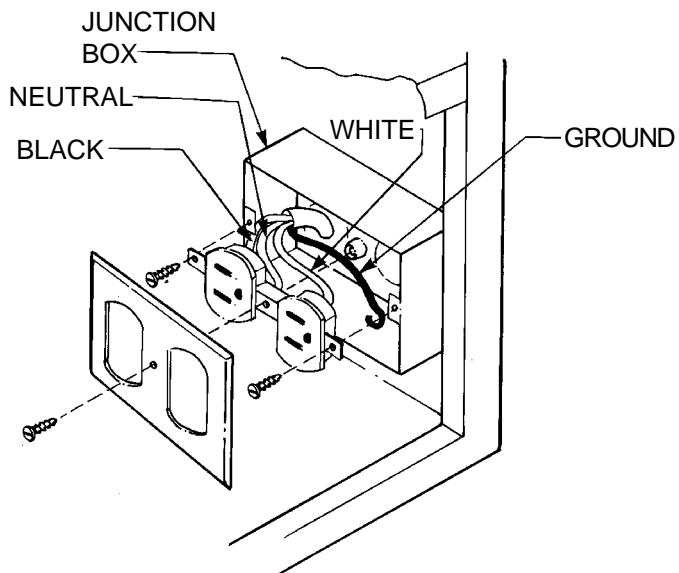
### 6. Glass soots.

- a. Flame impingement on logs.  
—Contact Empire Comfort Systems, Inc.
- b. Debris around throat of main burner.  
—Inspect the opening at the base of the main burner. It is imperative that NO material be placed in this opening.

### 7. Flame burns blue and lifts off main burner.

- a. Insufficient oxygen being supplied.  
—Check to make sure vent cap is installed properly and free of debris. Make sure that vent system joints are tight and have no leaks.  
—Check to make sure that no material has been placed at the main burner base.  
—Be sure glass is tightened properly on unit, particularly on top corners.





**Electrical Junction Box Connection**  
Figure 47

**Attention:** Only, after the fireplace has been converted to a heater can a 24 volt wall thermostat or battery operated remote control with thermostat, FRBTC-1 be used. See installation of heater baffle on Page 5.

**OPERATING INSTRUCTIONS**

Provided on the intermittent pilot wiring harness are two (2) stripped and bare wires that are labeled THERMOSTAT. The wires will be used for attachment of 24 volt thermostat, optional FWS-1 wall switch or will attach into the receiver on an optional FRBC-1, FRBTC-1 or FREC-1 remote control.

**Installation of Remote Receiver**

Place remote receiver on the floor of fireplace behind the louver as far forward as possible.

**Attention:** The velcro loop and hook are not necessary in this installation but can be used to secure remote receiver.

## FOR YOUR SAFETY READ BEFORE OPERATING

**WARNING: If you do not follow these instructions exactly, a fire or explosion may result causing property damage, personal injury or loss of life.**

A. This fireplace is equipped with an ignition device which automatically lights the pilot.

Do not try to light the pilot by hand.

B. **BEFORE OPERATING** smell all around the appliance area for gas. Be sure to smell next to the floor because some gas is heavier than air and will settle on the floor.

### WHAT TO DO IF YOU SMELL GAS

- Do not try to light any appliance.
- Do not touch any electrical switch; do not use any phone in your building.
- Immediately call your gas supplier from a neighbor's phone. Follow the gas supplier's instructions.

- If you cannot reach your gas supplier, call the fire department.

C. Use only your hand to slide the gas control knob. Never use tools. Force or attempted repair may result in a fire or explosion.

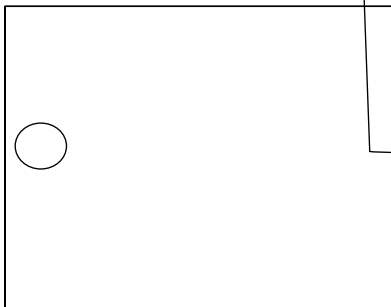
D. Do not use this appliance if any part has been under water. Immediately call a qualified service technician to inspect the appliance and to replace any part of the control system and any gas control which has been under water.

1. **STOP!** Read the safety information above.

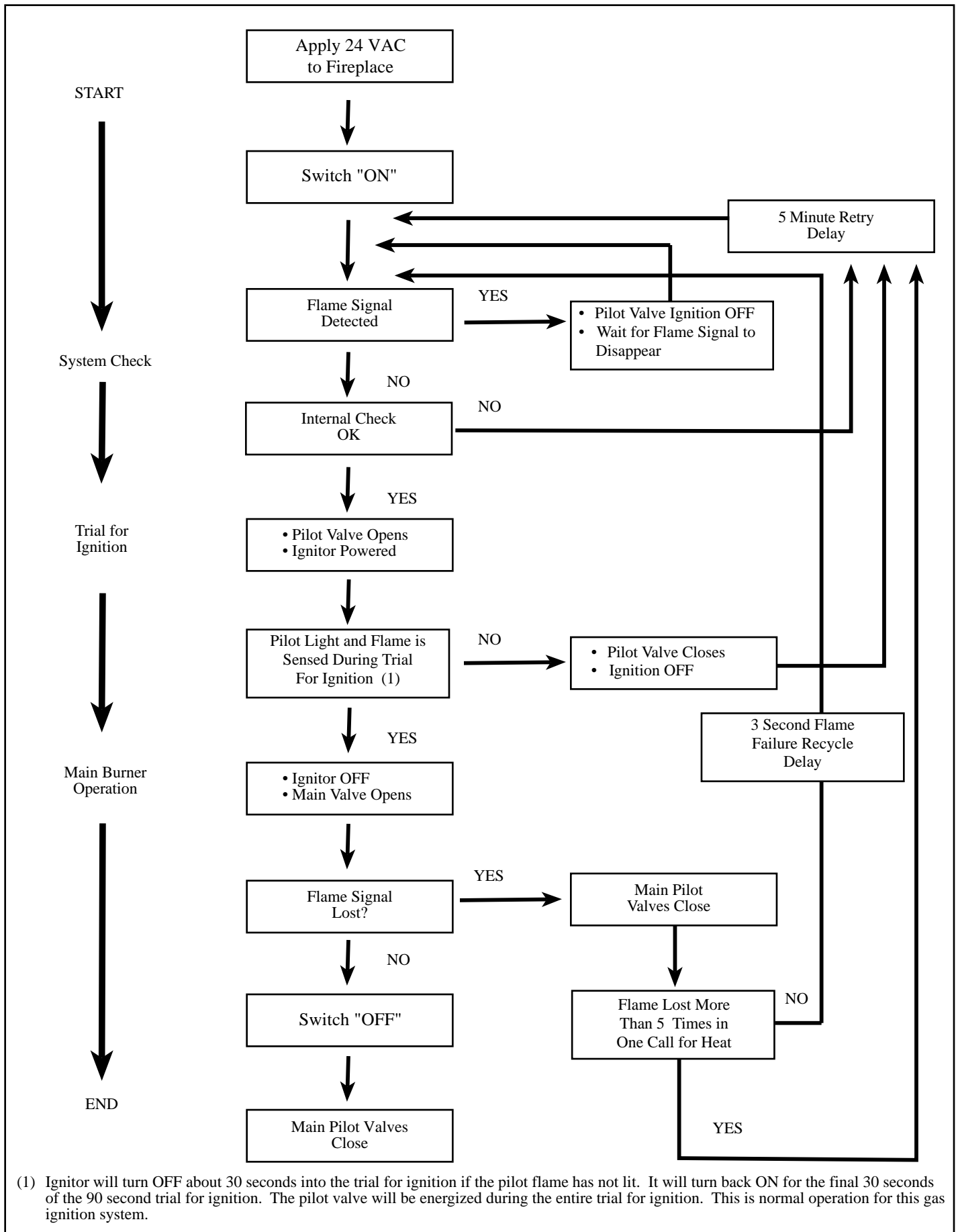
2. Set accessory to OFF.

3. Turn off all electric power to the fireplace.

4. This fireplace is equipped with an ignition device which automatically lights the pilot. Do not try to light the pilot by hand.



# INTERMITTENT PILOT SEQUENCE OF OPERATION



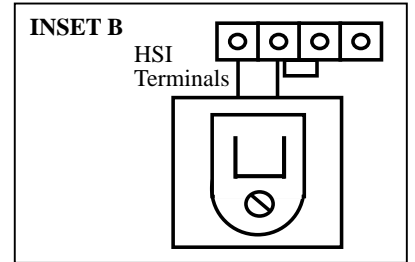
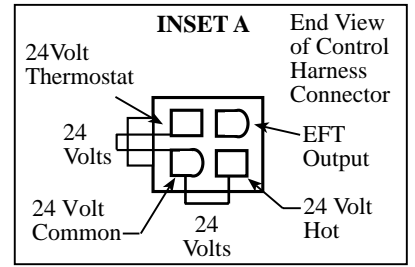
(1) Ignitor will turn OFF about 30 seconds into the trial for ignition if the pilot flame has not lit. It will turn back ON for the final 30 seconds of the 90 second trial for ignition. The pilot valve will be energized during the entire trial for ignition. This is normal operation for this gas ignition system.

## IP SYSTEM TROUBLESHOOTING SEQUENCE

START

- Turn OFF Gas Supply
- Disconnect System Control Harness
- Set witch ON

SmartValve™ System Troubleshooting Sequence  
 Note: Before Troubleshooting, Become Familiar with the Sequence of Operation



Check for Proper Voltage at Control Harness (See Inset A -Voltage Should be 24V Between Thermostat and 24V Common, and 24V Between 24V Common and 24V Hot.)

NO

- CHECK**
- Line Voltage Power
  - Low Voltage Transformer
  - Thermostat
  - Wiring

YES

Plug Harness into SmartValve Control  
 Wait for Internal Check Delay (SV9501)

Igniter Warms UP and Glows Red

NO

Unplug Pilot Burner Cable. Measure Voltage at SmartValue HSI Element Output (See Inset B) 24V Nominal

NO

Replace SmartValve Control

YES

Replace Igniter/Flame Rod Assembly

Reconnect Pilot Burner Cable

Reconnect Pilot Burner Cable

Note: Igniter Will Cycle OFF and Back ON Once During the 90 Second Ignition Trial

YES

- Turn On Gas Supply
- Pilot Burner Lights

NO

• Check that Pilot Gas is Flowing Wait to Assure Pilot Gas Tubing is Purged.

NO

Replace SmartValve Control

YES

• Measure Voltage Between 24V Hot and 24V Common Leads to SmartValve Control. Must Measure at Least 19.5 VAC with Igniter Powered. See Inset A to Identify Proper Lead. This Check Must be Done with the SmartValve Control Connected and Igniter Powered.

NO

Check Transformer and Line Volt Supply

YES

Replace Igniter/Flame Rod Assembly

YES

Main Valve Opens and Main Burner Lights

NO

- Check that Pilot Flames Makes Good Contact with Pilot Burner Flame Rod
- Check for Good Electrical Connection Through the Pilot Tubing
- If Both of the Above are Good, Replace Igniter/Flame Rod

YES

System is Okay

Switch OFF and Back ON

Main Burner Lights

NO

Replace SmartValve Control

## Maintenance and Service

### PLEASE NOTE

It is normal for appliances fabricated of steel to give off some expansion and/or contraction noised during the start up or cool down cycle. Similar noises are found with your furnace heat exchanger or car engine.

It is not unusual for your Empire gas fireplace to give off some odor the first time it is burned. This is due to the curing of the paint and any undetected oil from the manufacturing process.

Please ensure that your room is well ventilated - open all windows.

**It is recommended that you burn your Empire unit for at least six (6) hours the first time you use it. If optional fan kit has been installed, place fan in the "OFF" position during this time.**

**IMPORTANT:** Turn off gas before servicing appliance. It is recommended that a competent service technician perform these check-ups at the beginning of each heating season.

#### • Clean Burner and Control Compartment

Keep the control compartment, logs, and burner areas surrounding the logs clean by vacuuming or brushing at least twice a year.

#### Cleaning Procedure

1. Turn off pilot light at gas valve.
2. Remove glass front. (See Glass Removal)
3. Vacuum burner compartment.
4. Reinstall glass front.
5. Ignite pilot. (See Lighting/Operating Section of Manual)
6. Operate the pilot burner and visually check to make sure the flame pattern appears similar to the pictorial illustration shown in Figure 45. If it appears abnormal call a service person.

#### • Check Vent System

The appliance and venting system should be inspected before initial use and at least annually by a qualified field service person. Inspect the external vent cap on a regular basis to make sure that no debris is interfering with the air flow.

#### Glass Cleaning

It will be necessary to clean the glass periodically. During start-up condensation, which is normal, forms on the inside of the glass and causes lint, dust and other airborne particles to cling to the glass surface. Also initial paint curing may deposit a slight film on the glass. It is therefore recommended that the glass be cleaned two or three times with a non-abrasive household cleaner and warm water (we recommend gas fireplace glass cleaner). After that the glass should be cleaned two or three times during each heating season depending on the circumstances present.

#### General Glass Information

**WARNING: Do not operate appliance with the glass front removed, cracked or broken. Replacement of the glass should be done by a licensed or qualified service person.**

Only glass approved for use by the manufacturer in fireplace may be used for replacement. The glass replacement should be done by a licensed or qualified service person.

#### WARNING:

1. The use of substitute glass will void all product warranties.
2. Care must be taken to avoid breakage of the glass.
3. Under no circumstances should this appliance be operated without the glass front or with a broken glass front. Replacement of the glass (with gasket) as supplied by the manufacturer should be done by a qualified service person.
4. Do not abuse the glass by striking or hitting the glass.

**WARNING: Do not use abrasive cleaners on glass. Do not attempt to clean glass when glass is hot.**

#### Glass Removal and Replacement (Figure 49)

1. Push up and outward to remove top louver.
2. Lower door assembly.
3. Release two door latches at bottom of firebox.
4. Grasp bottom of glass frame, lift glass frame upward in order to release glass frame from lip on top of firebox.
5. Align and place top of glass frame over lip on top of firebox.
6. Grasp bottom of glass frame, push inward and place glass frame onto firebox.
7. Attach two door latches onto bottom of glass frame.
8. Align and insert (4) mounting tabs on top louver with (4) slots on casing top. Push downward to lock the top louver into position.

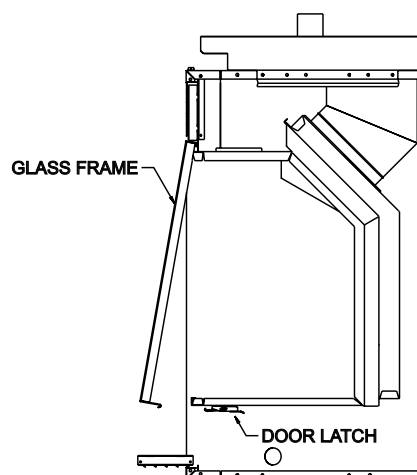
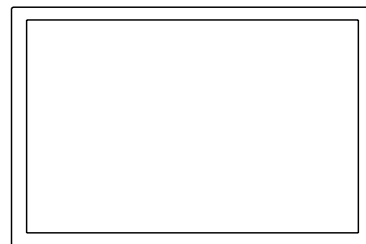


Figure 49

#### Installation of Louvers (Figure 50)

**Attention:** The top louver has (4) mounting tabs. The bottom louver has (2) clearance holes.

1. Align and insert (4) mounting tabs on top louver with (4) slots on casing top. Push downward to lock the top louver into position.
2. Align (2) clearance holes on bottom louver with (2) screw holes on casing. Attach bottom louver to casing with (2) 10 x 1/2" screws.

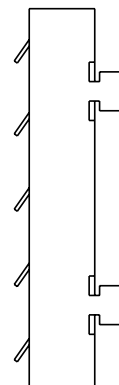
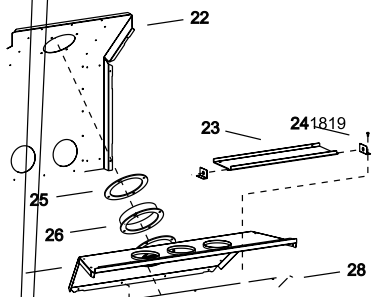


Figure 50



**How To Order Repair Parts . . .**

Parts can be ordered **only** through your **service person or dealer**. For best results, the **service person or dealer** should order parts through the distributor. Parts can be shipped directly to the **service person/dealer**.

All parts listed in the Parts List have a Part Number. When ordering parts, first obtain the Model Number from the name plate on your equipment. Then give the Model Number (not the Index Number) and the Description of each part from the following appropriate illustration and list. Be sure to give

Part Description \_\_\_\_\_  
 Type of Gas (Propane or Natural) \_\_\_\_\_

\_\_\_\_\_ can be purchased at any local hardware store.



**PLEASE NOTE:** When ordering parts, it is very important that **part number** and **description** of part coincide.

Index No.	Part Number	Description	Index No.	Part Number	Description
1	10816	UPPER CLEARANCE SPACER	42	10947	BURNER BOX ASSEMBLY - NATURAL (DVF-42) (INCLUDES AIR SHUTTER)
2	10013	TOP STANDOFF (DVF-36) (2 REQUIRED)	42	10948	BURNER BOX ASSEMBLY - LP (DVF-42) (INCLUDES AIR SHUTTER)
2	10038	TOP STANDOFF (DVF-42) (2 REQUIRED)	43	10213	BURNER SUPPORT - LEFT WELDED ASSEMBLY
3	10988	VENT COVER PLATE ASSEMBLY	44	10974	GRATE ASSEMBLY COMPLETE (DVF-36)
4	10829	OUTER WRAPPER TOP (DVF-36)	44	10975	GRATE ASSEMBLY COMPLETE (DVF-42)
4	10831	OUTER WRAPPER TOP (DVF-42)	45	10212	BURNER SUPPORT - RIGHT WELDED ASSEMBLY
5	10776	TOP HEAT SHIELD (DVF-36)	46	R-5143	PILOT ASSEMBLY - NATURAL - ROBERTSHAW
5	10777	TOP HEAT SHIELD (DVF-42)	46	R-5144	PILOT ASSEMBLY - LP - ROBERTSHAW
6	10578	OUTER WRAPPER - LEFT (DVF-36)	46	R-3232	PILOT ASSEMBLY (IP)- NATURAL HONEYWELL (IP)
6	10582	OUTER WRAPPER - LEFT (DVF-42)	46	R-3233	PILOT ASSEMBLY (IP)- LP HONEYWELL (IP)
7	10855	OUTER WRAPPER BACK (DVF-36)	47	11163	PILOT BRACKET
7	10856	OUTER WRAPPER BACK (DVF-42)	48	11210	FIREBOX BOTTOM WELDED ASSEMBLY (DVF-36)
8	10579	OUTER WRAPPER - RIGHT (DVF-36)	48	11214	FIREBOX BOTTOM WELDED ASSEMBLY (DVF-42)
8	10583	OUTER WRAPPER - RIGHT (DVF-42)	48	11211	FIREBOX BOTTOM WELDED ASSEMBLY (DVF-36-IP)
9	10779	CORNER SHIELD	48	11215	FIREBOX BOTTOM WELDED ASSEMBLY (DVF-42-IP)
10	10054	JUNCTION BOX WELDED ASSEMBLY	49	10889	SEAL BRACKET
11	10018	AIR DILLUTION COVER PLATE	50	M-167	GASKET - SEAL BRACKET
12	10574	CORNER BRACE 2	51	R-4053	DOOR LATCH (2 REQ'D)
13	10573	CORNER BRACE 1	52	R-5454	GAS VALVE - NATURAL - HONEYWELL
14	10860	OUTER WRAPPER BOTTOM WELDED ASSEMBLY (DVF-36)	52	R-5456	GAS VALVE - LP - HONEYWELL
14	10938	OUTER WRAPPER BOTTOM WELDED ASSEMBLY (DVF-42)	53	R-5155	GAS VALVE - NATURAL HONEYWELL (IP)
15	10586	LOUVER ASSEMBLY - UPPER (DVF-36)	53	R-5156	GAS VALVE - LP HONEYWELL (IP)
15	10588	LOUVER ASSEMBLY - UPPER (DVF-42)	54	UH-810	TRANSFORMER MOUNTING BRACKET (IP)
16	10898	GLASS FRAME ASSEMBLY (DVF-36)	55	R-1995	TRANSFORMER (IP)
16	10951	GLASS FRAME ASSEMBLY (DVF-42)	56	UH451	JUNCTION BOX COVER (IP)
17	10587	LOUVER ASSEMBLY - LOWER (DVF-36)	57	DV-802	JUNCTION BOX (IP)
17	10589	LOUVER ASSEMBLY - LOWER (DVF-42)	58	R-5160	CORD SET - 18" (IP)
18	R-5137	ADAPTER PIPE	59	R-4589	FRONT LOG (DVF-36)
19	M-169	8" ADAPTER GASKET	59	R-4594	FRONT LOG (DVF-42)
20	10900	AIR DROP BACK ASSEMBLY	60	R-4585	LEFT MIDDLE LOG (DVF-36)
21	10554	NAILING FLANGE (4 REQ'D)	60	R-4590	LEFT MIDDLE LOG (DVF-42)
22	11222	AIR DROP FRONT ASSEMBLY	61	R-4586	RIGHT MIDDLE LOG (DVF-36)
23	CI-364	BLOW PLATE ASSEMBLY (DVF-36)	61	R-4591	RIGHT MIDDLE LOG (DVF-42)
23	10945	PRESSURE DOOR RELEIF ASSEMBLY (DVF-42) (2 REQ'D)	62	R-4592	REAR LOG (DVF-36)
24	CI-375	BLOW PLATE BRACKET (2 REQ'D)	62	R-4597	REAR LOG (DVF-42)
25	M-170	FLUE OUTLET GASKET	NOT SHOWN	R-3436	REMOTE/OFF/ON SWITCH (DVF-36 DVF-42)
26	10976	DIVERTER OUTLET TUBE	NOT SHOWN	R-3435-A	WIRE ASSEMBLY (DVF-36 DVF-42)
27	10893	FIREBOX TOP ASSEMBLY (DVF-36)	NOT SHOWN	R-5592	WIRE ASSEMBLY (DVF-36IP DVF-42IP)
27	10944	FIREBOX TOP ASSEMBLY (DVF-42)	NOT SHOWN	10891	PILOT TUBING ASSEMBLY (DVF-36IP)
28	10798	COMBUSTION DOME DIVERTER (DVF-36)	NOT SHOWN	10892	INLET TUBING ASSEMBLY (DVF-36IP)
28	10799	COMBUSTION DOME DIVERTER (DVF-42)	NOT SHOWN	11035	PILOT TUBING ASSEMBLY (DVF-36)
29	10993	HEATER BAFFLE	NOT SHOWN	11036	INLET TUBING ASSEMBLY (DVF-36)
30	11218	SUPPORT COLUMN - LEFT (DVF-36)	NOT SHOWN	11037	PILOT TUBING ASSEMBLY (DVF-42IP)
30	11220	SUPPORT COLUMN - LEFT (DVF-42)	NOT SHOWN	11038	INLET TUBING ASSEMBLY (DVF-42IP)
31	10788	FIREBOX SIDE - LEFT (DVF-36)	NOT SHOWN	11039	PILOT TUBING ASSEMBLY (DVF-42)
31	10790	FIREBOX SIDE - LEFT (DVF-42)	NOT SHOWN	11040	INLET TUBING ASSEMBLY (DVF-42)
32	10789	FIREBOX SIDE - RIGHT (DVF-36)	NOT SHOWN	10173	SHIPPING PLATE (DVF-36)
32	10791	FIREBOX SIDE - RIGHT (DVF-42)	NOT SHOWN	10174	SHIPPING PLATE (DVF-42)
33	11219	SUPPORT COLUMN - RIGHT (DVF-36)	NOT SHOWN	10260	LAVA (DECORATIVE) ROCK
33	11221	SUPPORT COLUMN - RIGHT (DVF-42)	NOT SHOWN	10261	ROCK WOOL
34	10784	FIREBOX BACK (DVF-36)			
34	10785	FIREBOX BACK (DVF-42)			
35	10806	COMBUSTION AIR BAFFLE (DVF-42)			
36	10802	REAR LOG SUPPORT (DVF-36)			
37	10854	REAR LOG SUPPORT (DVF-42)			
38	P-200	ORIFICE FITTING			
39	P-255	#53 ORIFICE - LP (DVF-36)			
39	P-256	#41 ORIFICE - NAT (DVF-36)			
39	P-258	#1.55mm ORIFICE - LP (DVF-42)			
39	P-257	#40 ORIFICE - NAT (DVF-42)			
40	R-4665	AIR SHUTTER LP			
40	R-4666	AIR SHUTTER NAT			
41	P-251	COUPLING (NAT GAS ONLY)			
42	10895	BURNER BOX ASSEMBLY - NATURAL (DVF-36) (INCLUDES AIR SHUTTER)			
42	10896	BURNER BOX ASSEMBLY - LP (DVF-36) (INCLUDES AIR SHUTTER)			

**USE ONLY MANUFACTURER'S REPLACEMENT PARTS. USE OF ANY OTHER PARTS COULD CAUSE INJURY OR DEATH.**

# OPTIONAL AUTOMATIC FAN KIT INSTALLATION INSTRUCTIONS

OPTIONAL FAN	MODEL NUMBER		
FB-BK-2	VFFB-30C	VFFB-36C	VFFB-42C
	VFFB-36D	VFFB-42D	
	DVF-36	DVF-36IP	
	DVF-42	DVF-42IP	
FKA-160	VFC-30	VFC-36	VFC-42
	VFD-36	VFD-42	
	DVT/R-36	DVT/RE-36	
	DVT/R-42	DVT/RE-42	

## Installing Optional Fan Kit

1. If applicable, turn OFF electric supply to fireplace.
2. Lower the bottom louver.
3. With a 5/16" socket, loosen but do not remove either left screw or right screw that attaches bottom louver to fireplace side.
4. When the screw is sufficiently loosened you will be able to pull and pivot the bottom louver out of fireplace.
5. Centered in the rear are (2) weld studs which protrude upward into the bottom of fireplace for attachment of fan.
6. Insert fan into interior, bottom of fireplace. The clearance holes on fan mounting bracket must be facing toward the front of fireplace. Do not damage gas inlet supply line when fan is inserted into fireplace.
7. Align and place (2) clearance holes that are 2 1/2" from end of fan mounting bracket onto (2) weld studs.
8. Use (2) wing nuts to attach fan to weld studs.
9. Located in the right, front are (2) weld studs which protrude upward into the bottom of fireplace for attachment of speed control.
10. Insert speed control into interior, bottom of fireplace. Align and place (2) clearance holes on speed control onto (2) weld studs.
11. Use (2) wing nuts to attach speed control to weld studs.
12. Remove top louver from firebox.
13. Refer to Figure 1 for mounting hole location on right side of firebox top that applies to your appliance. Measure from front edge of firebox top to determine mounting hole location. Remove appropriate screw from firebox top.
14. Refer to Figure 2 for fan control bracket location that applies to your firebox. Align clearance hole on fan control bracket with screw hole on firebox top. Attach fan control bracket to firebox top with one (1) screw from Step 13.
15. Route fan control wires between the inner casing and outer casing.
16. Connect fan control wires to speed control wires.
17. Plug speed control electric cord into junction box on the right side of fireplace.
18. Replace and attach top louver and bottom louver onto fireplace.
19. Installation of fan kit is completed.

VFFB/VFC UNITS

DVF/DVT UNITS

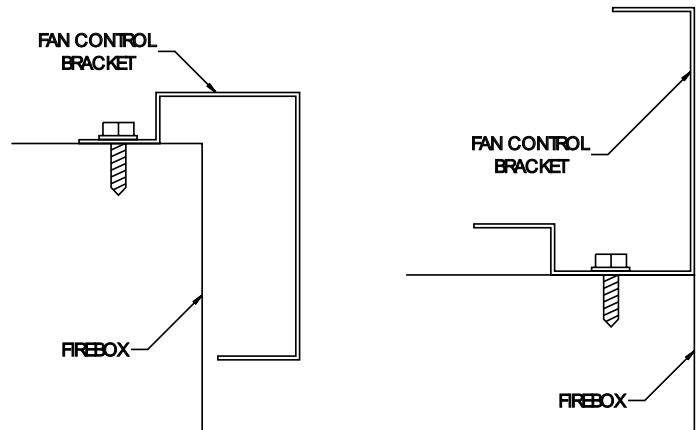


Figure 2

## Wiring

The appliance, when installed, must be electrically grounded in accordance with local codes or, in the absence of local codes, with the *National Electrical Code, ANSI/NFPA 70*, if an external electrical source is utilized. **This appliance is equipped with a three-prong [grounding] plug for your protection against shock hazard and should be plugged directly into a properly grounded three-prong receptacle. Do not cut or remove the grounding prong from this plug.** For an ungrounded receptacle, an adapter, which has two prongs and a wire for grounding, can be purchased, plugged into the ungrounded receptacle and its wire connected to the receptacle mounting screw. With this wire completing the ground, the appliance cord plug can be plugged into the adapter and be electrically grounded.

**CAUTION:** Label all wires prior to disconnection when servicing controls. Wiring errors can cause improper and dangerous operation. Verify proper operation after servicing.

## Blower Motor

The blower motor does not have oiling holes. Do not attempt to oil the blower motor.

## Blower Wheels

The blower wheels will collect lint and could require periodic cleaning. If the air output decreases or the noise level increases, it indicates a dirty blower wheel. Remove fan and clean blower wheels.

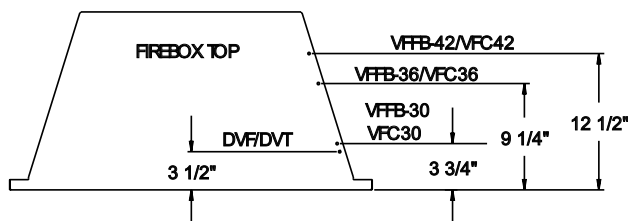
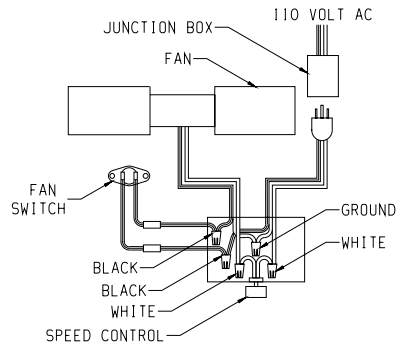
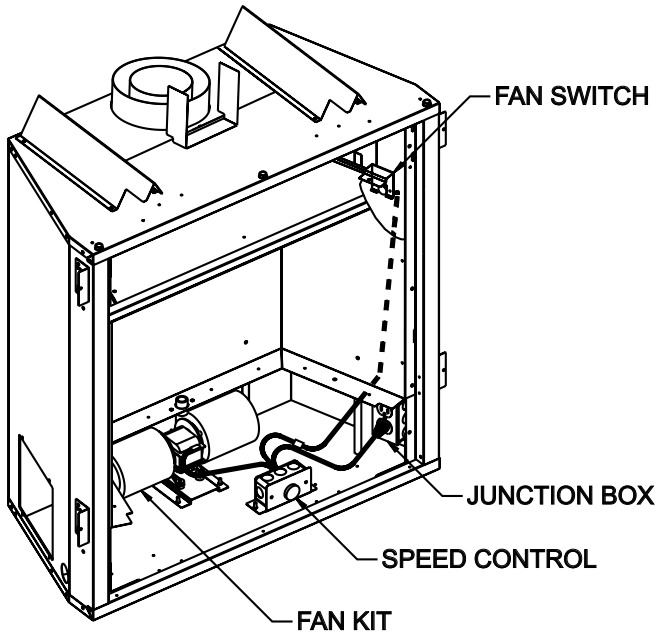


Figure 1

**Parts List**

Part Description	FB-BK-2	Quantity Supplied
Fan Kit	10131	1
Speed Control	10103	1
Hardware Package	10104	1
Fan Control	R-2503	1



**OPTIONAL FRESH AIR INTAKE KIT**

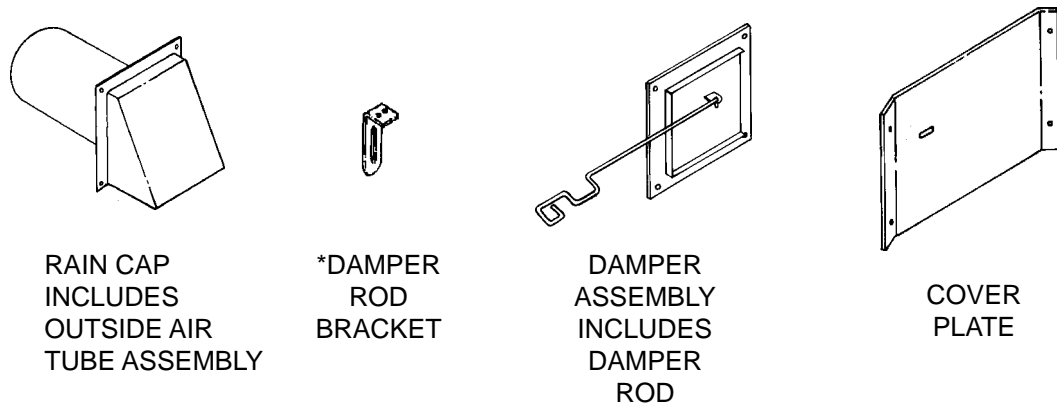
**FIREPLACE MODEL NUMBERS**

FB-AK-2

DVF-36 DVF-36IP  
DVF-42 DVF-42IP

**Optional Fresh Air Intake Kit (Figure 1)**

Installation of our 6" fresh air intake kit is simple and easy to complete. This system **MUST BE** installed before the fireplace is enclosed with finishing material. The air will be drawn into the cooling layer of the fireplace and be completely separated from the combustion casing of the direct vent fireplace. Cooler outside air will mix with room air, circulating around the firebox to reduce the heat output and bring heated, fresh air into the house to provide a more positive balance.



RAIN CAP INCLUDES OUTSIDE AIR TUBE ASSEMBLY

\*DAMPER ROD BRACKET

DAMPER ASSEMBLY INCLUDES DAMPER ROD

COVER PLATE

**Figure 1 Fresh Air Intake Kit**

**Installing Fresh Air Intake Kit (Figures 2, 3, 4, 5)**

1. Remove air dilution cover plate from left side of outer casing by removing (4) 10 x 1/2" screws (See Figure 2).
2. Attach damper assembly onto left side of outer casing with (4) 10 x 1/2" screws from Step 1. The 3" damper door tab will be positioned to the right as the damper assembly is attached to left side of outer casing.
3. As you face the fireplace, insert damper rod bracket into left, interior bottom of fireplace. The 3/4" flange on damper rod bracket must face toward the rear of fireplace. Align (2) clearance

holes on damper rod bracket with (2) screw holes on left side of hearth pan. Attach damper rod bracket to the underside of hearth pan with (2) 10 x 1/2" provided screws (See Figure 3).

**\*Attention:**

GASKET

DAMPER ASSEMBLY

OUTER CASING

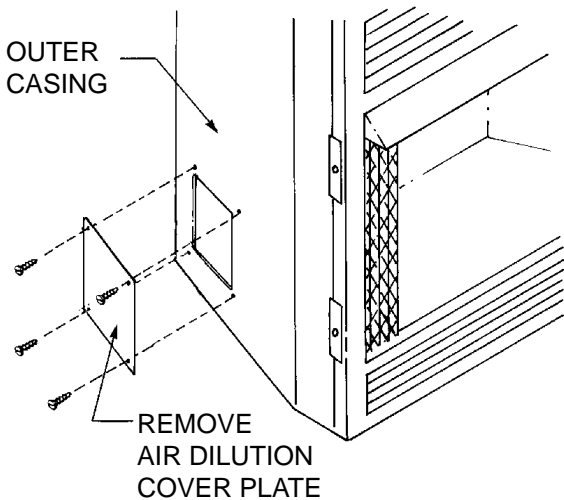
COVER PLATE

DAMPER ROD BRACKET

DAMPER ROD (CLOSED)

DAMPER ROD (OPEN)

**TOP VIEW**

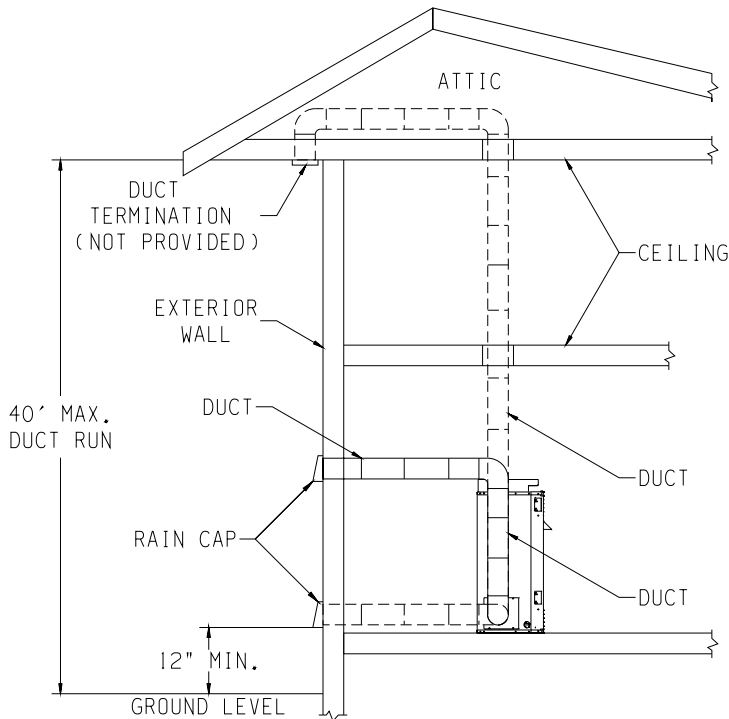


**Figure 2 Damper Assembly Location**

**Figure 3 Top View of Air System Installation**

4. Two cover plates are provided in kit. Use cover plate that measures 6 3/8" in height. Do not use cover plate that measures 7" in height. Discard 7" cover plate.
5. Insert and position 6 3/8" cover plate into left, interior bottom of fireplace. The 3/8" diameter hole in cover plate will be positioned upward and to the left.
6. Insert damper rod through damper rod bracket and 3/8" diameter hole in cover plate. Insert damper rod into 1/4" diameter hole in damper door tab. Place smooth side of 1/2" diameter pushnut over end of damper rod. Press the pushnut onto the damper rod approximately 1/8". The pushnut will prevent the damper rod from falling out of 1/4" diameter hole in damper door tab.
7. Attach cover plate to support legs with (4) 10 x 1/2" provided screws. The support legs are on the left side, to the rear, in the interior bottom of fireplace.
8. The 1 1/4" offset on damper rod is used to secure the damper door in an open or closed position.

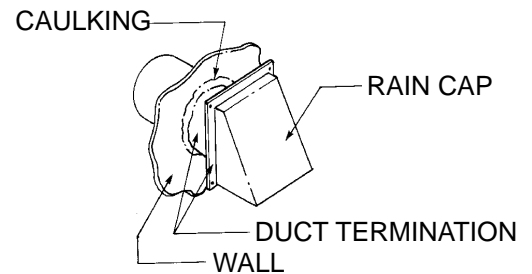
9. Refer to Figure 4 for options available for installation of 6" diameter duct. The duct run can be a maximum length of 40 feet. Insulated duct is recommended when ducting through a heated space. Note: 6" C vent or 6" flex vent can be used.
10. Cut a 6" diameter hole in structure after determining duct termination (rain cap) location.
11. Caulk exterior of structure that will be contacted by outside air tube assembly (See Figure 5).
12. Insert outside air tube assembly into 6" diameter hole in structure. Align clearance holes on rain cap with clearance holes on outside air tube assembly. Attach rain cap and outside air tube assembly to structure with (6) 1 1/2" provided screws.
13. Attach 6" diameter duct to 1 1/2" collar on damper assembly.
14. Route 6" diameter duct to outside air tube assembly.
15. Attach 6" diameter duct to outside air tube assembly.
16. Installation of fresh air intake kit is completed.



**Figure 4 Example of Installation**

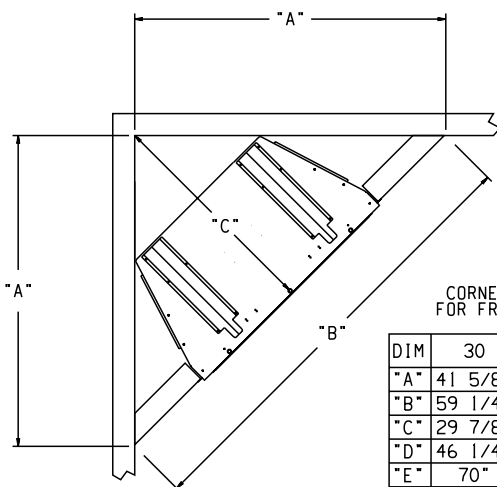
**PARTS LIST**

Part Description	Part Number	Quantity Supplied
Damper Assembly	10098	1
6 3/8" Cover Plate	10083	1
Damper Rod Bracket	10086	1
Rain Cap	10124	1
Damper Rod	R-4182	1
Pushnut	R-4607	1
10 x 1/2" Screw	R-2737	6
10 x 1 1/2" Screw	R-1134	6

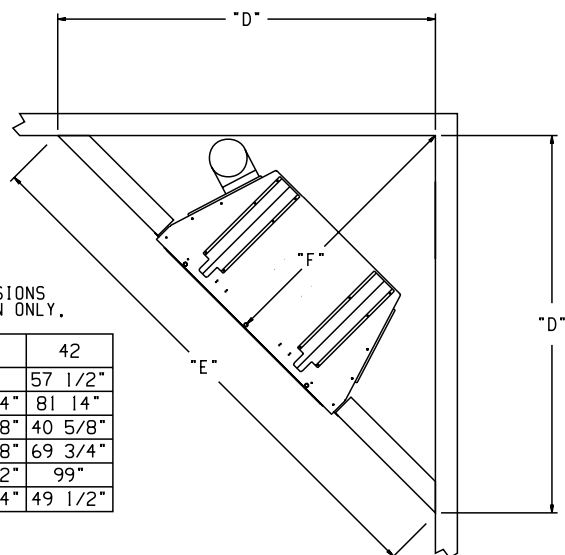


**Figure 5 Caulk and Install Duct Termination**

NO ELBOWS USED ON FRESH AIR KIT



WHEN 90° OR 45° ELBOWS ARE USED ON FRESH AIR KIT

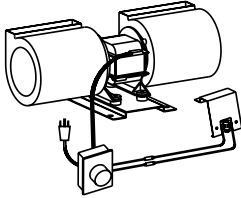
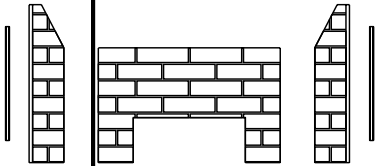
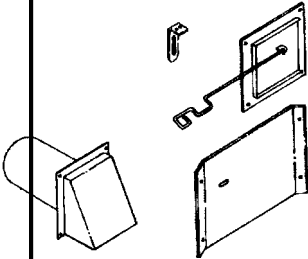
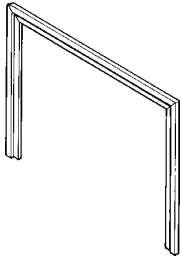



CORNER DIMENSIONS FOR FRAMING IN ONLY.

DIM	30	36	42
"A"	41 5/8"	50"	57 1/2"
"B"	59 1/4"	70 3/4"	81 1/4"
"C"	29 7/8"	35 3/8"	40 5/8"
"D"	46 1/4"	62 5/8"	69 3/4"
"E"	70"	88 1/2"	99"
"F"	35"	44 1/4"	49 1/2"

## ACCESSORY PARTS

The following accessory parts can be obtained from your Empire Comfort Systems, dealer. Should you need additional information beyond what your dealer can furnish, contact Empire Comfort Systems, Inc., Nine Eighteen Freeburg Ave., Belleville, Illinois 62222-0529.

Accessory	Description	Model Number
Fan Kit 	Designed to provide forced air flow.	FB-BK-2
Simulated Brick Panels 	Designed to enhance appearance looking more like real masonry.	DVF-BL-36 DVF-BL-42
Fresh Air Intake Kit 	Designed to provide heated fresh air to the house.	VFFB-AK-2
Trim Kit 	Frame — Brass  Frame — Porcelain Black  Frame — Black	DVFBF-36BR-1 DVFBF-42BR-1  FBF-36BP-2 FBF-42BP-2  FBF-36BL-2 FBF-42BL-2
Louvers 	Brass Louvers  Black Porcelain Louvers  Glass Window Trim	FBL-36BR-2 FBL-42BR-2  FBL-36BP-2 FBL-42BP-2  DVWT-36BR-1 DVWT-42BR-1



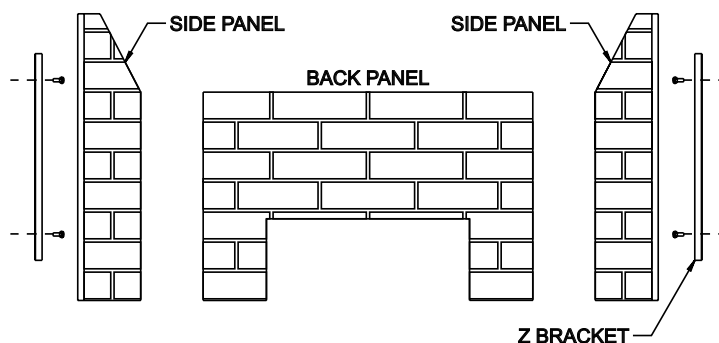
## OPTIONAL SIMULATED BRICK LINER INSTALLATION INSTRUCTIONS

### Direct Vent Fireplace

BRICK LINER KIT	MODEL NUMBER	
DVF- BL-36	DVF-36	DVF-36IP
DVF-BL-42	DVF-42	DVF-42IP

#### INSTALLING OPTIONAL SIMULATED BRICK PANELS

1. If installed, turn OFF gas supply to fireplace.
2. If installed, remove log assembly from fireplace.
3. The back panel is to be installed before the side panels. Place back panel against the rear wall in fireplace.
4. Place one side panel against the side wall in fireplace. Align the brick pattern on back panel and side panel.
5. To install the brick panel (Z) bracket you must first remove the top and bottom screw on the side of the inner casing front as it attaches to the outer casing. Now, place the brick panel (Z) bracket over the front edge of the side panel. The clearance holes on the brick panel (Z) bracket will align with the top and bottom screw holes on the side of the inner casing front. Reattach the top and bottom screws through the clearance holes on the brick panel (Z) bracket and into the inner casing front.
6. Repeat Step 4 and Step 5 to attach the second side panel to fireplace.
7. Installation of optional simulated brick panels is completed.



#### PARTS LIST

Part Description	Kit Number DVF-BL-36	Kit Number DVF-BL-42	Quantity Supplied
Brick Panel (Z) Bracket	10990	10991	2
Brick Panel - Side Right	R-5201	R-5205	1
Brick Panel - Side Left	R-5202	R-5206	1
Brick Panel - Back	R-5200	R-5204	1